

SDA

Swimming pool dehumidifiers



Series SDA dehumidifier are expressly designed for use in swimming pools where humidity should be closely controlled in order to guarantee optimal comfort. These units are intended to be installed in a technical room close to the swimming pool. A centrifugal fan with high available static pressure allows unit connection to ductworks, both for air suction and discharge. This series comprises 5 basic models which cover a capacity range from 73 to 240 l/24h.

VERSIONS

The series includes 5 models with air flows from 800 to 2000 m³/h.

ACCESSORIES

- HOEL** Electric heater kit (3kW, 6kW).
- HOWA** Hot water coil.
- HYGR** Remote mechanical hygrostat.
- INSE** Serial interface card RS485.
- KAVG** Rubber vibration dampers.
- KGBH** Louver kit and case for ducted version.
- KIVM** Modulating 3-way valve kit installed.
- PCRL** Remote control panel.
- RGDD** Built in electronic temperature and humidity probe.
- RP01** Partial heat recovery Cu-Ni made.
- V1CE** High efficiency E.C. fans \leq 300 Pa

SDA Models		75	100	150	200	250
Moisture removed at 30°C - 80%	l/24h	73,0	95,2	157,1	194,3	240,2
Moisture removed at 30°C - 60%	l/24h	56,6	76,5	111,0	145,3	190,3
Moisture removed at 27°C - 60%	l/24h	49,4	68,5	99,7	127,8	169,5
Moisture removed at 20°C - 60%	l/24h	34,5	50,2	66,6	90,6	122,4
Nominal input power at 30°C - 80%	kW	1,40	1,82	2,27	2,90	3,87
Maximum input power	kW	1,59	2,05	2,68	3,44	4,39
Supplementary electric heater	kW	3,0	3,0	6,0	6,0	6,0
Maximum input current	A	7,8	9,1	12,4	15,7	19,2
Peak current	A	21,7	27,0	46,0	65,0	67,0
Hot water coil ⁽¹⁾	kW	7,5	8,5	13,9	15,2	16,4
Partial heat recovery ⁽²⁾	kW	1,1	1,7	2,3	3,0	3,0
Air Flow	m ³ /h	800	1000	1500	1800	2000
Available static pressure	Pa	50÷150	50÷150	50÷150	50÷150	50÷150
Refrigerant		R410A	R410A	R410A	R410A	R410A
Sound power ⁽³⁾	dB(A)	59	61	67	69	70
Sound pressure ⁽⁴⁾	dB(A)	52	54	60	62	63
Power supply	V/Ph/Hz	230/1/50	230/1/50	230/1/50	230/1/50	230/1/50

Performances are referred to the following conditions:

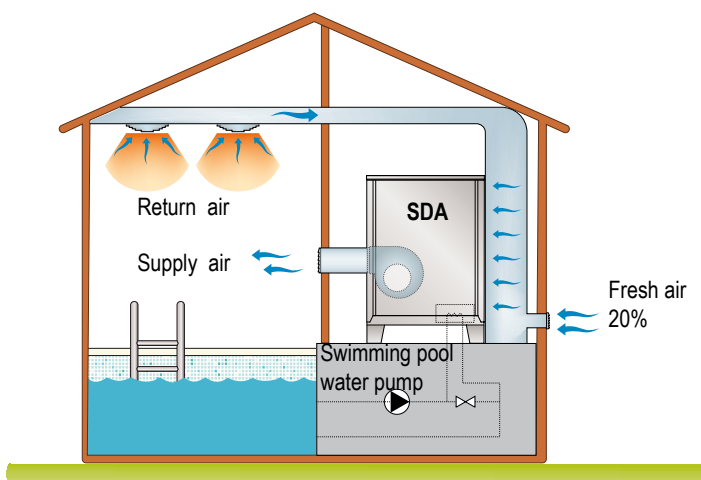
(1) Room temperature 30°C; water temperature 80/70°C, compressor OFF

(2) Room temperature 30°C/80%; water temperature 27/32°C, compressor OFF

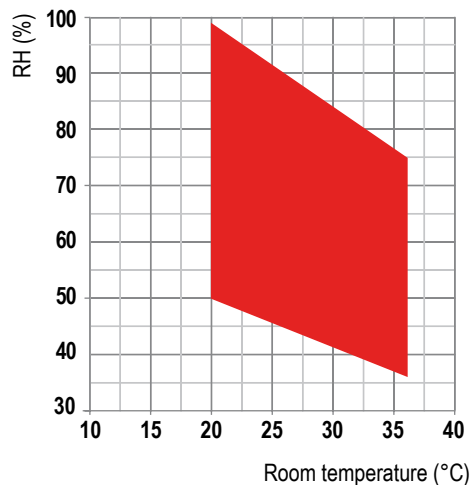
(3) Sound Power level according to ISO 9614 fan with available static pressure 50 Pa.

(4) Sound Pressure level measured at 1 mt from the unit in free field conditions according with ISO 9614, fan with available static pressure 50 Pa.

PLANT SCHEME



OPERATION LIMITS



FRAME

All units are made from hot-galvanised thick sheet metal, painted with polyurethane powder enamel at 180°C to ensure the best resistance against the atmospheric agents. The frame is self-supporting with removable panels. All screws and rivets are in stainless steel. The colour of the units is RAL 9018.

REFRIGERANT CIRCUIT

The refrigerant gas used in these units is R410A. The refrigerant circuit is made by using international primary brands components and according to ISO 97/23 concerning welding procedures.

The refrigerant circuit includes: sight glass, filter drier, thermal expansion valve with external equalizer, Schrader valves for maintenance and control, pressure safety device (according to PED regulation).

COMPRESSOR

The compressors are rotative type, with thermal overload protection by a klixon embedded in the motor winding. The compressor is mounted on rubber vibration dampers and it is supplied, standard, with sound-proof cover to reduce noise emission. The inspection is possible through the frontal panel of the unit that allows the maintenance of the compressor.

CONDENSER AND EVAPORATOR

Condensers and evaporators are made of copper pipes and aluminium fins.

All evaporators are painted with epoxy powders to prevent corrosion problem due to their use in aggressive environments. The diameter of the copper pipes is 3/8" and the thickness of the aluminium fins is 0,1 mm. The tubes are mechanically expanded into the aluminium fins to improve the heat exchange factor. The geometry of these heat exchangers guarantees a low air side pressure drop and then the use of low rotation (and low noise emission) fans.

All units are supplied, standard, with a powder coated steel drip tray and all evaporators are supplied with a temperature sensor used as automatic defrost probe.

FAN

The fans are made of galvanized steel, centrifugal type. It is statically and dynamically balanced and supplied.

The electric motors are directly connected to the fan; they are all at 3 speeds, with integrated thermal protection. The protection class of the motors is IP 54.

AIR FILTER

It is made of synthetic filtering media, undulated type, without electro-static charge; they are all removable for differential disposal. Efficiency class G5, according to EN 779:2002.

MICROPROCESSOR

All units are supplied standard with microprocessor controls. The microprocessor controls the following functions: compressor timing, automatic defrost cycles, alarms.

An appropriate LCD display shows the operation mode of the unit, set point and alarms.

ELECTRIC BOX

The electric switch board is made according to electromagnetic compatibility norms CEE 73/23 and 89/336. The accessibility to the board is possible after removing the front panel of the unit and the OFF positioning of the main switch. The following components are also standard installed: main switch, magnetic-thermal switches (as a protection fans and compressors), control circuit automatic breakers, compressor contactors, fan contactors. The terminal board is supplied with voltage free contacts for remote ON-OFF and general alarm.

CONTROL AND PROTECTION DEVICES

All units are supplied with the following control and protection devices: antifreeze protection sensor, high pressure switch with manual reset, low pressure switch with automatic reset, high pressure safety valve, compressor thermal overload protection, fans thermal overload protection.

TEST

All the units are fully assembled and wired at the factory, carefully evacuated and dried after leak tests under pressure and then charged with refrigerant R410A.

They are all fully operational tested before shipment. They all conform to European Directives and are individually marked with the CE label and provided with Conformity Declaration.

ACCESSORIES

HYGR - REMOTE MECHANICAL HYGROSTAT

To be installed on the wall, it is supplied with a regulation knob and working range from 30% to 100% with precision of 3%.

HOEL - ELECTRIC HEATER

The electric heater kit is in aluminium and is used to integrate the unit heating capacity. The kit is composed of an on-off double safety thermostat without capacity steps.

HOWA - HOT WATER COIL

The heat exchanger is made of copper pipes and aluminium fins. The diameter of the copper pipes is 3/8" and the thickness of the aluminium fins is 0,1 mm. The tubes are mechanically expanded into the aluminium fins to improve the heat exchange factor.

INSE - SERIAL INTERFACE CARD RS485

This interface card enables the controller to communicate with other devices using Modbus protocol.

KGBH - LOUVER KIT AND CASE FOR DUCTED VERSION

Air grille double row adjustable brushed aluminium fins, equipped for wall mounting with subframe.

KIVM - 3 WAY MODULATING VALVE KIT

It is used to control the waterflow in the coil. The valve is directly controlled from the unit microprocessor.

PCRL - REMOTE CONTROL PANEL

This panel can be mounted up to 50m (maximum) from the unit and replicates all of the control functions. It is connected using a twin cable of 0.5 mm sq section.

RGDD - BUILT IN-ELECTRONIC SENSOR (TEMP.+HUMIDITY)

Built-in Electronic temperature and humidity probe.

RP01 - PARTIAL HEAT RECOVERY

The unit is fitted with a Coaxial type heat exchanger suitable for chlorinated water. The internal pipe is manufactured from Cupronickel with the external pipe being made from Copper. The chlorinated water flows within the internal pipe whilst the refrigerant gas passes through the gap between the internal and external pipes. The Cupronickel internal pipe is manufactured with a special profile that generates turbulent flow within the refrigerant gas thus increasing the heat exchange factor, the thermal efficiency and reducing the dimensions. The heat exchanger is designed to recover approx. 20% of the thermal capacity generated by the unit.

V1CE - E.C. SUPPLY FAN

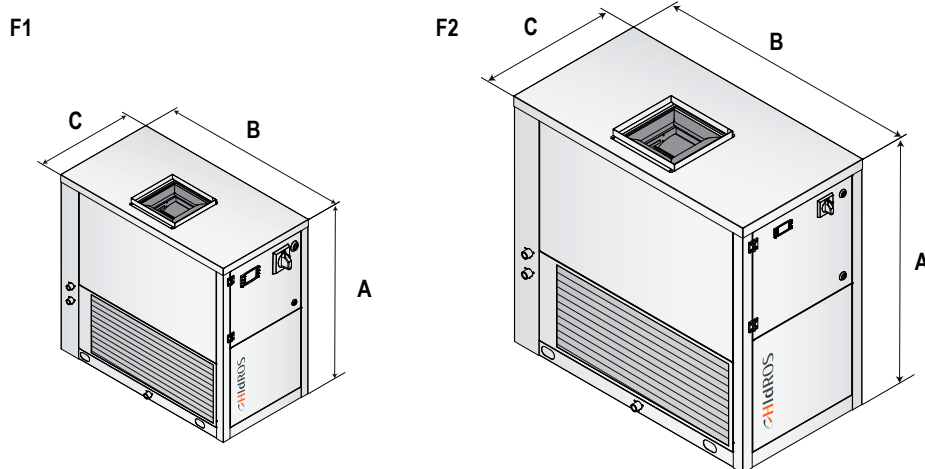
The supply fan is a high performance centrifugal type, double inlet forward curved blades, directly coupled to the electric motor. The fan wheel and the scroll are made from hot galvanised thick sheet metal, painted with polyurethane powders, to ensure the best resistance against aggressive environments. The electric motor is a high

efficiency DC brushless type with external rotor, to guarantee an ideal cooling of the windings and the absence of power lost due to pulleys and belt transmission. The fan is statically and dynamically balanced class 6,3 according to ISO1940. The electric motor has a separate electronic commutator (driver) and a speed modulation 0-10V, integrated PFC, burn out thermal

protection (in case of considerable reduction of the power supply), protection degree IP54, serial interface card with modbus protocol RTU.

SDA Models	Code	75	100	150	200	250
A.C. fans ≤ 150 Pa		●	●	●	●	●
Supply flange		●	●	●	●	●
Thermostatic valve		●	●	●	●	●
Low noise version		●	●	●	●	●
Main switch		●	●	●	●	●
Umidity and Temperature electronic probe sensor	RGDD	○	○	○	○	○
Remote mechanical hygrostat	HYGR	○	○	○	○	○
Partial heat recovery Cu-Ni made	RP01	–	○	○	○	○
Hot water coil	HOWA	○	○	○	○	○
Modulating 3 way valve kit installed	KIVM	○	○	○	○	○
Electric heater kit 3 kW (230/1~/50)	HOEL	○	○	○	○	○
Electric heater kit 6 kW (230/1~/50)	HOEL	–	–	–	○	○
Stainless steel frame	INOX	○	○	○	○	○
Air filter with frame for ducted installation	FARC	○	○	○	○	○
Remote control Panel	PCRL	○	○	○	○	○
High efficiency E.C. fans ≤ 300 Pa	V1CE	○	○	○	○	○
Serial interface card RS485	INSE	○	○	○	○	○
Rubber vibration dampers	KAVG	○	○	○	○	○

● Standard, ○ Optional, – Not Available.



Mod.	Frame	A (mm)	B (mm)	C (mm)	Kg
75	F1	800	800	400	85
100	F1	800	800	400	90
150	F2	1000	1060	550	130
200	F2	1000	1060	550	135
250	F2	1000	1060	550	140

POSSIBLE CONFIGURATIONS

