

neptronic[®]

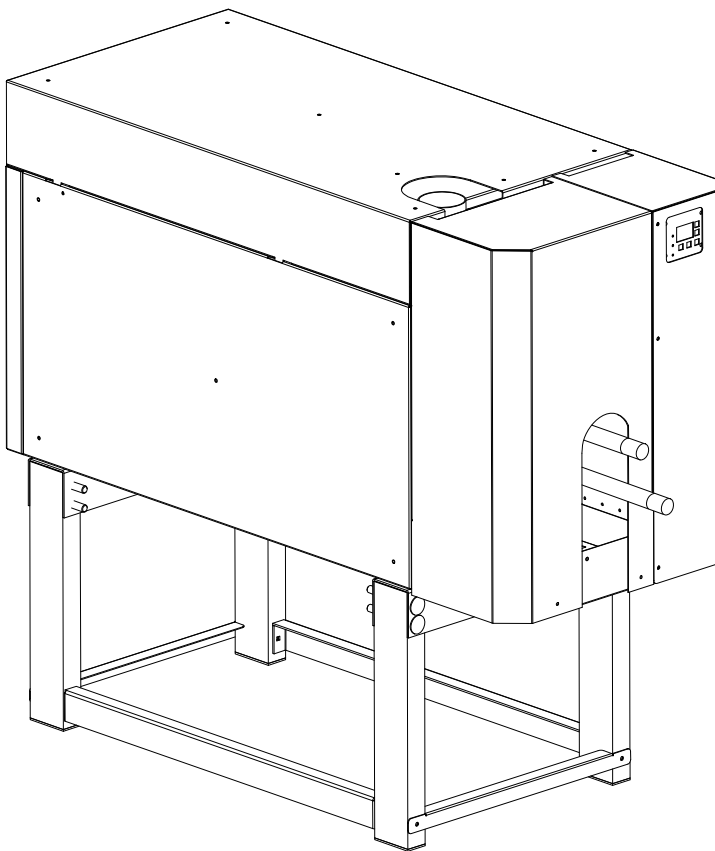
Steam or HTHW

to Steam

Humidifier

SKS Series

INSTALLATION INSTRUCTIONS



Read and save these instructions

**HOT WATER
(HTHW) OR
STEAM
SUPPLY**

All work concerned with High Temperature Hot Water (HTHW) supply installation MUST only be performed by skilled and qualified technical personnel. The customer is always responsible for ensuring the suitability of the technical personnel.

Please observe the local regulations concerning the provision of steam and/or hot water installations.



ELECTRICITY



All work concerned with electrical installation MUST only be performed by skilled and qualified technical personnel (eg electrician or technician with appropriate training). The customer is always responsible for ensuring the suitability of the technical personnel.

Please observe the local regulations concerning the provision of electrical installations.

**HEALTH &
SAFETY**

NEP has considered aspects of the design of their humidification systems to reduce as far as possible the risk of Legionnaires' disease and other similar conditions but it is important that users are also aware of their responsibilities.

To prevent the growth of Legionella, users are required to:

- Avoid water temperature that favours the growth of Legionella (20-45°C).
- Avoid water stagnation.
- Clean and disinfect the humidification system.
- Carry out a risk assessment of the water system supplying the humidifier by a competent person, to ensure the water supply is of an acceptable quality

CORRECT USE

Neptronic® systems and products are designed only for use of humidification.

Any other application is not considered use for the intended purpose. The manufacturer cannot be made liable for any damage resulting from incorrect use.

ACCESS

NEVER LEAVE SKS CABINET WITH DOOR TO ELECTRICAL PANEL OPEN AS LIVE ELECTRICAL PARTS MAY BE GAINED.

WATER

Neptronic® systems are designed to be used with mains, reverse osmosis, de mineralized or partially softened water. On no account attempt to introduce any other fluid or chemical into the system without first consulting NEP or its authorized distributor.

Water supply must not exceed the max pressure of 480 kPa or pressure limits laid out in the specification and installation should comply with local regulations.

Foreword

This installation and operation manual has been developed to facilitate the installation and the operation of the SKS series humidifier. The strict application of these instructions will ensure the conformity of the installation and operation to the manufacturer's recommendations.

The application of these instructions is one of the conditions of the warranty.

The application of these instructions does not ensure at any time conformity with the rules in force of the country of destination.

This product has been declared conform to applicable Canadian, American and European standards.

Copy write © 2010: All rights reserved, this document cannot be reproduced totally or partially by any means whether, electronic, mechanical, photocopy, recording or other, without prior written authorization of National Environmental Products Ltd.

**Manufacturer
Presentation**

National Environmental Products Ltd (NEP) is the owner of the brand Neptronic®.

NEP develops, manufactures and services a complete line of:

- Electric Steam humidifiers for commercial and Residential application,
- Gas fired steam humidifiers for commercial application,
- Actuators to regulate air dampers or valves,
- Electric heaters,
- Humidistats, Thermostats and other control peripherals used to control HVAC equipment,

For more information about our products, visit our web site at www.neptronic.com

Each Neptronic® product benefits from over 30 years of experience of our qualified staff. From the inspiration to realisation, innovation has been the standard in design. As the result of this dedication, NEP Ltd. owns several patents, notably the gas burner modulation and descaling systems.

Manufacturing is conducted on the premises of our modern 7 000m² facility in Montreal, Canada.

Our quality system is built on the ISO 9001 model.

Our vision "**Customer for Life**" is realised by listening to customer needs and by supplying products, which exceed expectations in quality, functionality and durability.

National Environmental Products Ltd.

Toll free *in North America*: 1 800 361-2308

Tel.: (1) (514) 333-1433

Fax: (1) (514) 333-3163

Customer service Fax: (514) 333-1091

Business hours: from Monday to Friday, 8:00am to 5:00pm (Eastern time)

Safety 1

Foreword.....2

Table of content 3

Standard & Certificates4

Technical Specifications 5

Dimensions & Weights 8

Installation Overview 10

Stage 1 – Unit Positioning and Mounting 11

Stage 2 – Steam Distribution Pipes Positioning & Installation 12

Stage 3 – Pipework for HTHW / Raw steam 16

Stage 4 – Water Supply Installation 19

Stage 5 – Water Drain Connection 20

Stage 6 –Electrical Supply and Installation..... 21

Stage 7 –Electrical Control Connections..... 22

Stage 8 –BACnet® interface set-up 25

Initial verification 26

Operation mode 29

Alarm messages 30

Programming mode 31

User adjustment & diagnostic mode..... 32

Parts List..... 34

General conditions of sales & warranty 36

Other related documents:

1. Start up check list
2. Wiring diagram
3. If humidifier is equipped with BACnet® option:
BACnet® communication module user guide.



Declaration of conformity

CE directives applied Machinery Directive
 Pressure Equipment Directive
 Electromagnetic Compatibility Directive 89/336/EEC

Standard to which conformity is declared EN 954-1 Safety of Machinery.
 Pressure Equipment Directive – Equipment classified under Sound Engineering Practice.
 EN 61000-6-2: Electromagnetic Compatibility - Generic standards- Immunity for industrial environments
 EN 61000-6-4: Electromagnetic Compatibility - Generic standards – Emission standard for industrial environments.
 EN 55011 Conducted & Radiated emissions - Class A;
 EN 61000-4-2 Immunity to electrostatic discharges
 EN 61000-4-3 Immunity to radiated electromagnetic fields
 EN 61000-4-4 Immunity to electrical fast transients

Manufacturer's Name & Address **National Environment Products Ltd**
 400 Bld Lebeau
 Montreal, Quebec,
 H4N 1R6, Canada

Type of Equipment High Temperature Hot Water or Raw Steam to Steam humidifier
Model Name and Series SKS series
 Followed by 0200, 0333 or 0667 denoting steam capacity, and followed by C denoting power supply voltage 230Vac

Year of Manufacture 2009 and following

We the undersigned, hereby declare that the equipment specified above conforms to the above Directive(s) and Standard(s)

Signature:
 Name: Juan Carlos Ortiz
 Position: Quality Manager

Technical Specifications

**SKS
Nomenclature**

Model	Maximum capacities				Heat Exchanger type	Voltage code
SKS	-	0	2	0	0	- CHP C

Available maximum capacities in kg/h at maximum pressure/temperature

C = 230Vac 1ph

Code	Material & pressure range of heat exchanger
CHP	Copper High pressure
CPHP	Copper Plated High pressure
CLP	Copper Low Pressure
CPLP	Copper Plated Low Pressure
SLP	Stainless Low Pressure
SPLP	Stainless Plated Low Press.

Note : (HP) High Pressure = 689 kPa max
(LP) Low Pressure = 103.4 kPa max

Output Steam Capacities For Steam Supply On SLP & SPLP Heat Exchanger

Steam Supply for Low Pressure Steam Stainless Steel heat Exchanger							
Model*	Nb of Heat Exc.	Output steam capacity [kg/h] For Supply steam pressure ⁽²⁾					Steam outlet Qty & Ø [mm]
		0.34 Bar [34.5kPa]	0.55 Bar [55.1kPa]	0.69 Bar [68.9kPa]	0.83 Bar [82.7kPa]	1.03 Bar [103.4kPa]	
SKS-100-SLP	1	15	24	30	36	45	76
SKS-130-SLP	1	19	31	39	47	59	76
SKS-190-SLP	1	28	46	57	69	86	76
SKS-290-SLP	1	44	70	87	105	132	100
SKS-390-SLP	1	59	94	118	142	177	100
SKS-500-SLP	1	76	121	151	182	230	130
SKS-690-SLP	1	104	167	209	251	314	130
SKS-950-SLP	1	144	230	287	345	432	2x 100
SKS-1250-SLP	2	189	303	378	454	568	2x 130

Output Steam Capacities For Steam Supply On CLP, CPLP, CHP & CPHP Heat Exchanger

Steam Supply for Copper Heat Exchanger								
Model	Output Steam Capacity (kg/hr) for Supply Steam Temperature & Pressure							Steam outlet Qty & Ø (mm)
	116°C 0.69 Bar 69kPa	121°C 1.03 Bar 103kPa	127°C 1.37 Bar 137kPa	138°C 2.41 Bar 241kPa	149°C 3.44 Bar 344kPa	160°C 5.17 Bar 517kPa	170°C 6.89 Bar 689kPa	
	SKS-200-CHP	18	30	39	69	99	150	
SKS-333-CHP	29	50	66	116	166	249	333	(2x) 108
SKS-6□7-CHP	59	100	132	231	331	499	667	(2x) 133

Notes:

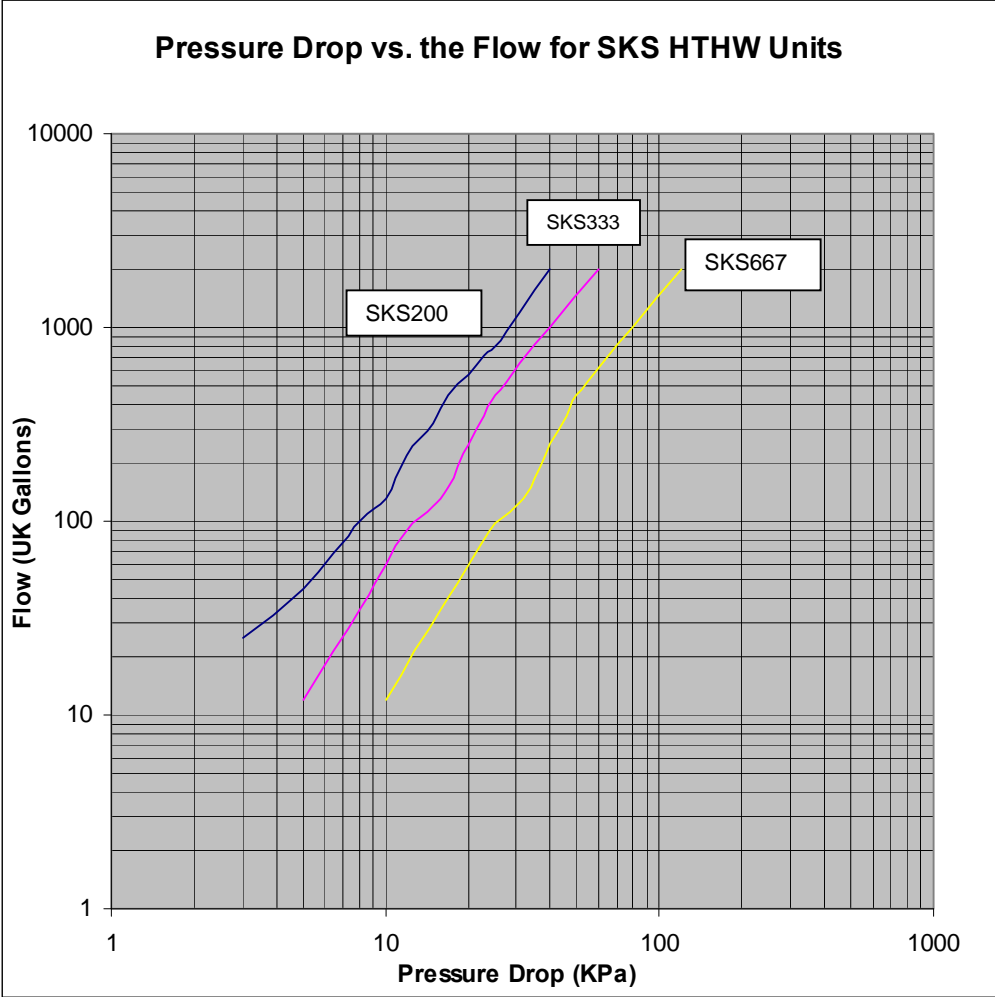
- (*) Any in-between capacity model is available upon request to factory.
- 1 - Power supply is 230Vac 0.75A, 50Hz,
- 2 - Raw steam or HTHW pressure at actual point of connection to humidifier.
- 3 - Maximum static duct pressure is 5" w.c 1.250 kPa. For higher static duct pressures please consult Neptronic® or its authorized distributor.

Technical Specifications

Output Steam Capacities For HTHW Supply

Model	Flow		Output Steam Capacity (Kg/hr) for HTHW Peak Temperature and Pressure						Pressure Drop (KPa)	
			122°C	130°C	140°C	150°C	160°C	170°C		
	l/min	GPM	1.03 Bar	1.65 Bar	2.50 Bar	3.44 Bar	5.17 Bar	6.89 Bar		
			103kPa	165kPa	250kPa	344kPa	517kPa	689kPa		
SKS-200-CHP	181.6	40							172	2000
	113.5	25	29	39	65	90	116	158	800	
	104.4	23	29	39	64	87	115	156	720	
	90.8	20	28	38	63	84	111	152	570	
	77.2	17	28	38	62	81	107	148	450	
	68.1	15	28	37	61	79	104	143	320	
	54.5	12	26	37	58	76	100	133	220	
	45.4	10	25	36	56	73	95	124	130	
	36.3	8	23	35	50	67	89	113	100	
	22.7	5	20	32	44	61	75	92	45	
13.6	3	16	26	36	47	61	70	25		
SKS-333-CHP	272.4	60							287	2000
	181.6	40	49	64	108	144	198	264	1000	
	113.5	25	46	63	101	133	174	238	450	
	104.4	23	45	62	100	131	171	234	350	
	90.8	20	44	61	98	127	166	222	250	
	77.2	17	43	61	94	122	160	208	150	
	68.1	15	41	60	90	118	154	198	120	
	54.5	12	38	59	85	112	144	180	90	
	45.4	10	35	56	80	107	135	166	60	
	36.3	8	33	53	72	100	122	150	35	
22.7	5	27	44	60	78	102	117	12		
13.6	3	21	35	54	68	88	90	-		
SKS-667-CHP	544.8	120							574	2000
	363.2	80	98	128	216	288	396	528	1000	
	227.0	50	92	126	202	266	348	476	450	
	208.8	46	90	124	200	262	342	468	350	
	181.6	40	88	122	196	254	332	444	250	
	154.4	34	86	122	188	244	320	416	150	
	136.2	30	82	120	180	236	308	396	120	
	109.0	24	76	118	170	224	288	360	90	
	90.8	20	70	112	160	214	270	332	60	
	72.6	16	66	106	144	200	244	300	35	
	45.4	10	54	88	120	156	204	234	12	
	27.2	6	42	70	108	136	176	180	-	

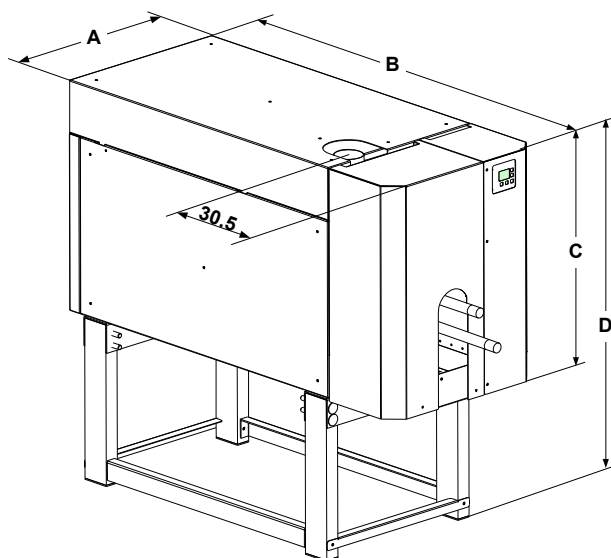
Technical Specifications



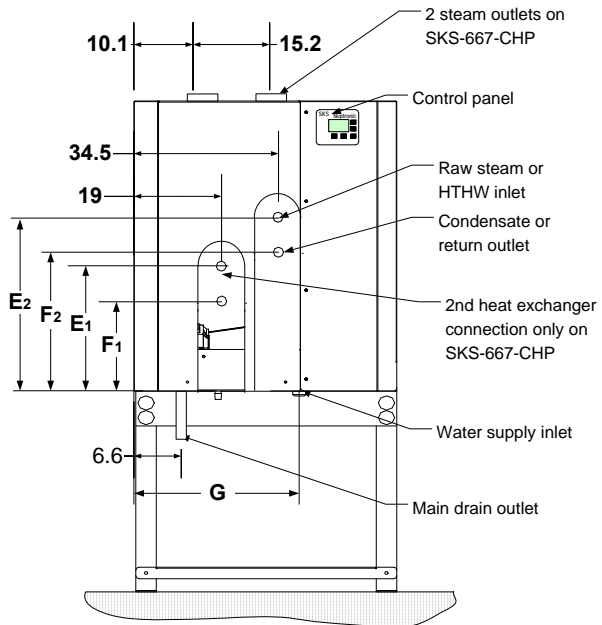
- SKS200 capacity up to 172 kg/hr dependent on flow, peak temperature and pressure drop
- SKS333 capacity up to 287 kg/hr dependent on flow, peak temperature and pressure drop
- SKS667 capacity up to 574 kg/hr dependent on flow, peak temperature and pressure drop

Please contact JS Humidifiers for the all technical data

Dimensions & Weights



(Fig. 1)
dimensions are in cm



(Fig. 2)
dimensions are in cm

Model	Dimensions [cm]								Weight [kg]		
	A	B	C	D	E	F	G	2 nd heat exchanger		Empty	In Operation
								E2	F2		
SKS-100-SLP	50	116.3	66.5	112	26.9	19.3	27.7	-	-	120	221
SKS-130-SLP	50	116.3	66.5	112	26.9	19.3	27.7	-	-	122	220
SKS-190-SLP	57.9	116.3	74.7	120	27.9	20.1	35.6	-	-	141	263
SKS-290-SLP	57.9	120	74.7	120	27.9	20.1	35.6	-	-	143	280
SKS-390-SLP	69.9	149.3	69.3	114.8	29.7	20.3	44.7	-	-	179	376
SKS-500-SLP	69.9	149.3	69.3	114.8	29.7	20.3	44.7	-	-	182	373
SKS-690-SLP	78.7	149.3	84.3	129.8	31	21.6	51.1	-	-	213	501
SKS-950SLP	78.7	149.3	84.3	129.8	31	21.6	51.1	-	-	215	531
SKS-1250-SLP	76.2	149.3	107.2	153.2	60.7	50.8	50.8	31.2	21.8	259	715
SKS-200-CHP	54.4	116.3	62.9	107.4	25.9	18.8	28.9	-	-	88	186
SKS-333-CHP	69.9	149.3	68.8	113.2	32	18.8	44.9	-	-	118	355
SKS-667-CHP	77	149.3	78.5	123	33.3	19.5	53.8	46.5	32.5	158	485

Notes:

- All Models noted SLP include SPLP models
- All Models noted CHP include CLP, CPLP and CPHP models

Handling & Unpacking



Handling and Lifting

Lifting or handling **MUST** only be carried out by trained and qualified personnel. Ensure that the lifting operation has been properly planned, risk assessed and that all equipment has been checked by a skilled and competent Health & Safety representative and effective control measures put in place.

It is the customer's responsibility to ensure that operators are trained in handling heavy goods and to enforce the relevant lifting regulations.

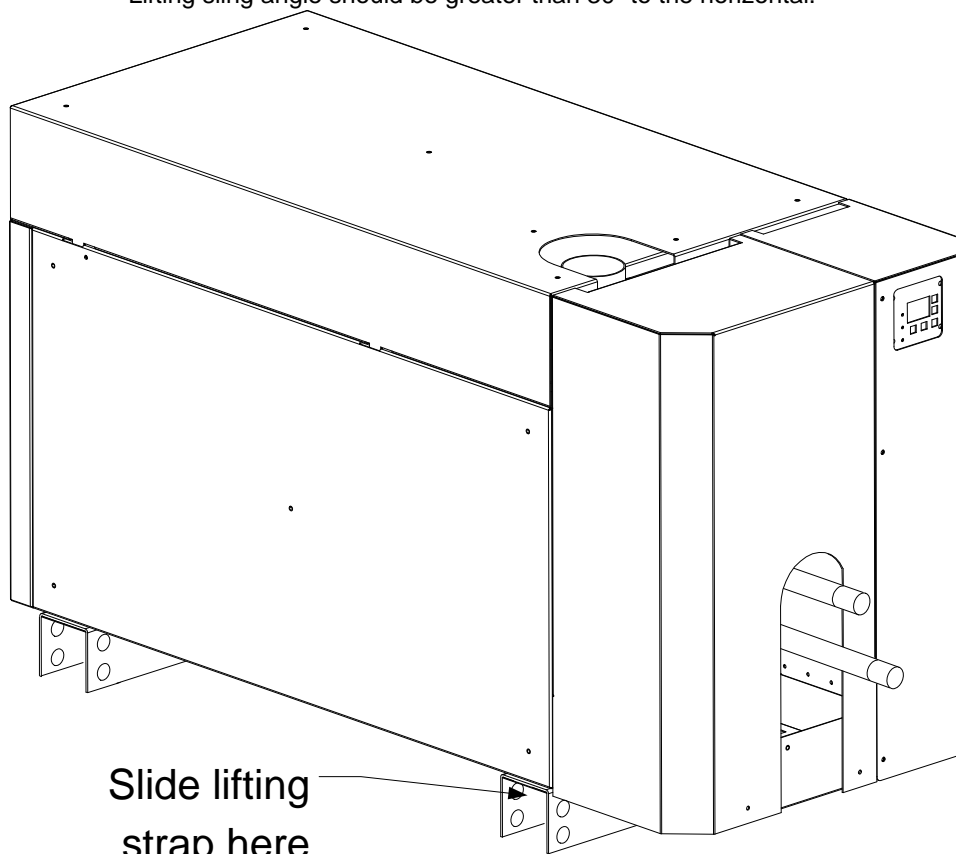
Refer to Dimensions & Weight section for system dry weights.

The SKS Humidifier **MUST** always be handled and lifted with care and should remain within its original packaging for as long as possible prior to installation

The SKS Humidifier package may be carried using a fork lift from the underside. Caution should be exercised to ensure balanced load before lifting.

Lifting of SKS Humidifier **MUST** always be carried out using the appropriate Neptronic Lifting bracket.

Lifting sling angle should be greater than 30° to the horizontal.



(Fig. 3)

Unpacking

SKS Humidifier is shipped on a wooden crate.

Ensure packing wooden crate and skid is removed prior to commissioning.

List of accessories supplied

Two adjustable steam hose collars per steam outlet to connect on the steam output of the humidifier.

One 10mm water supply flexible hose.

Installation Overview



All installation work must comply with local regulations.

All work concerned with the installation of the SKS Humidifier MUST only be performed by skilled and qualified technical personnel (e.g. electricians, plumbers or technicians with appropriate training).

The customer is responsible for ensuring their suitability.

For the installation of the SKS Humidifier and associated components there should be no special tooling requirements above that of a fitter's toolkit.

**Installation
method
statement**

Stage 1: Unit Positioning Levelling and Mounting

Stage 2: Steam Distribution Pipes Positioning & Installation

Stage 3: Raw Steam Supply Connection

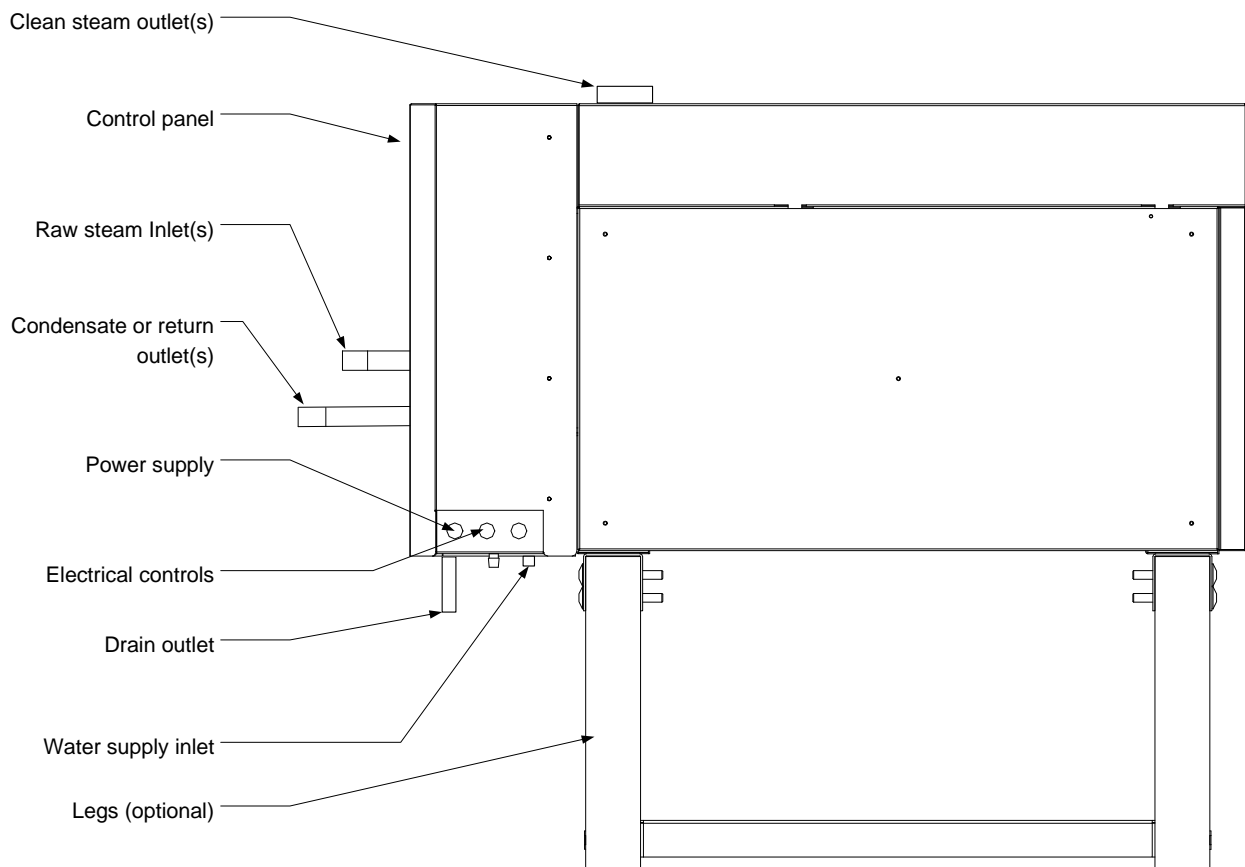
Stage 4: Water Supply Installation

Stage 5: Water Drain Connection

Stage 6: Electrical Supply Installation

Stage 7: Electrical Control Connections

Stage 8: BACnet® interface set-up (optional)

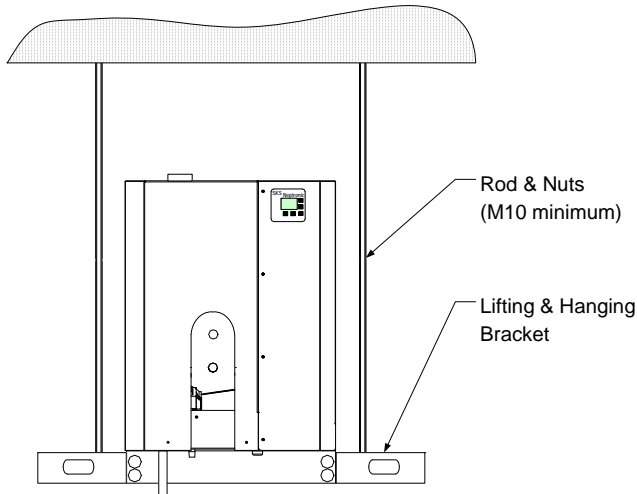


(Fig. 4)

Stage 1 – Unit Positioning, Mounting and Levelling

Positioning the Humidifier

- SKS humidifier must be installed to ensure the steam hose length is kept to the shortest possible length. Maximum steam hose length between the humidifier and the steam distribution pipes is 5m.
- SKS humidifier should be installed with provision for the Steam supply piping connections and Steam condensate trap installation.
- The humidifier should be located in an area that is fully accessible for inspection and servicing. Observe the minimum access distances as shown in figure 6.
- SKS humidifier can be provided with adjustable legs (optional) in order to ensure proper level when installed directly on the floor. Provide a level, solid foundation for the humidifier. Ensure that the floor beneath the humidifier is water proof to withstand any water spillage during servicing or if a problem occurs. Ensure that the humidifier is properly attached through its legs using anchors to the floor.
- SKS-200-CHP Models can be ceiling hung by using the appropriate Lifting and hanging bracket.
- SKS humidifier should be levelled, in order to ensure proper slop for condensate return by heat exchanger.

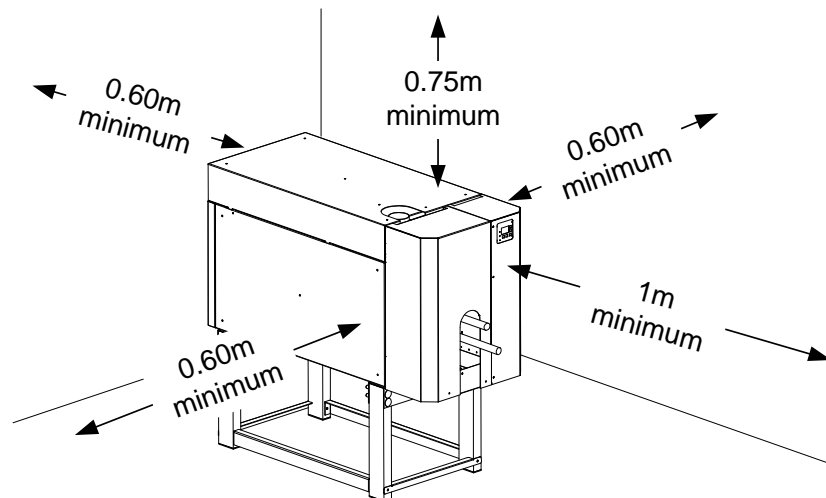


(Fig. 5)

Ambient condition

The humidifier location should have an ambient temperature of less than 30°C.

Minimum Clearances



(Fig. 6)

Note: Above minimum clearances are indicated for inspection and servicing access. SKS Humidifier is designed for a 0 clearance to combustible material.

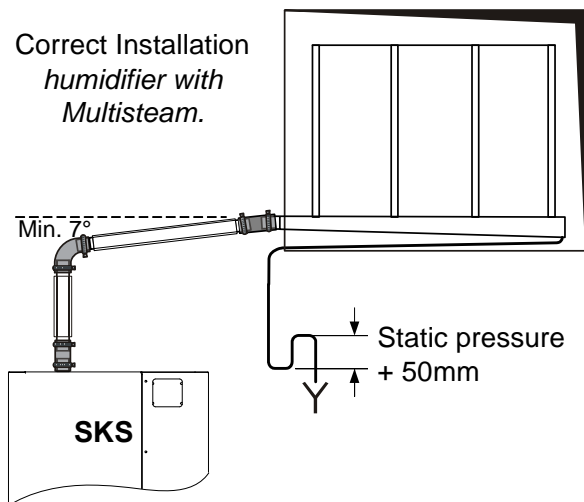
Stage 2 – Steam Distribution Pipes Positioning & Installation

Fundamental Design Concepts

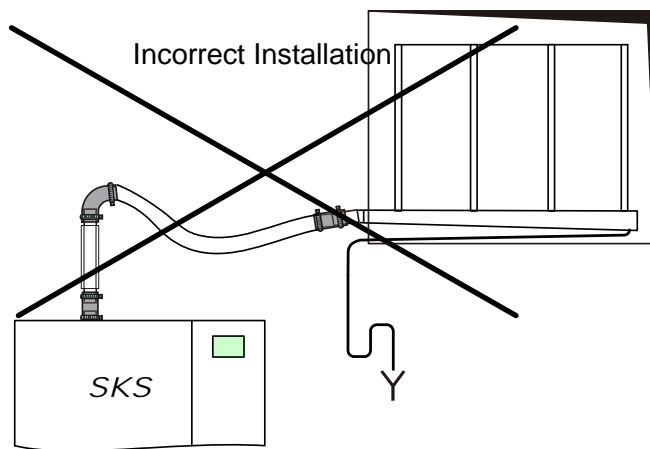


1. Maximum steam velocity in a pipe should not exceed 12m/s velocity.
2. Minimum steam pipe gradient should be 7° i.e. 125mm rise in 1m run.
3. The lowest point of any steam hose or rigid pipe must be the humidifier. A steam separator (S trap) should be installed higher than the static pressure of the system by at least 50mm.
4. Total length of the steam hose or rigid pipe should not exceed 5 m.
5. Whenever possible use rigid copper piping, flexible steam hose can be used for short runs or for interconnecting between rigid pipe runs, ensure that there is no kink in the flexible hose. When using rigid copper pipe, insulation should be used to diminish condensation build up.

Correct Installation humidifier with Multisteam.



(Fig. 7)



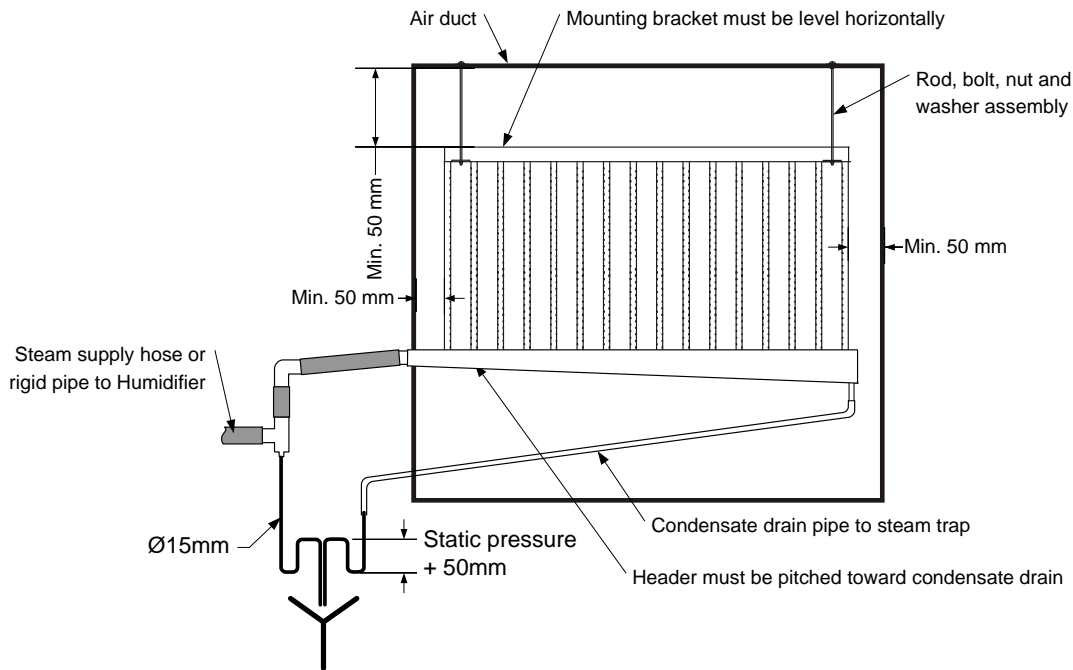
(Fig. 8)

6. Connection pipe sizes between SKS and steam distributor in the duct should be :
 - 108mm up to 240kg/h
 - 133mm up to 255kg/h
7. All SKS/CHP Humidifiers should use Multi-Steam.
8. All Humidifiers above 240kg/h should use 2 Multi-Steam units per Air Handling Unit (AHU) or air Duct with an equal duty split to each Multi-Steam

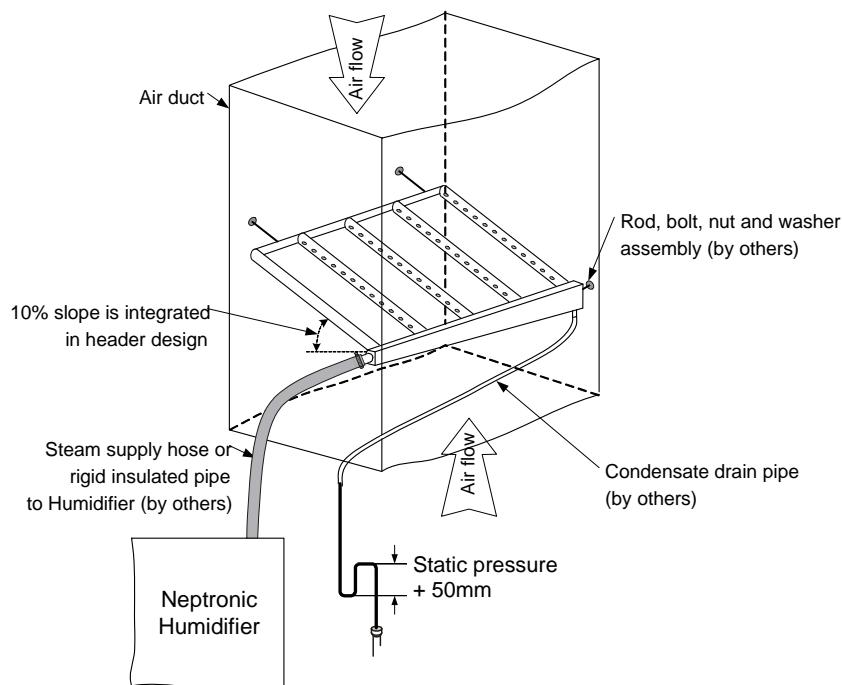
Stage 2 – Steam Distribution Pipes Positioning & Installation

Selection of Multi-Steam

1. For all Multi-Steam units use the Neptronic® Humidisoft program to size the unit.
2. Where two Multi-Steam units are required, duties in excess of 240kg/h make your selection using the following rules:
 - Divide the air volume flow in half.
 - Divide the AHU / air Duct **width** in half.
 - **Height** of the duct must remain at 100% its height.
 - This will size Multi-Steam units so that they can be placed side by side.
3. For installation of Multi-Steam units please refer to Neptronic® Multi-Steam Installation Instructions



Horizontal duct (Fig. 9)

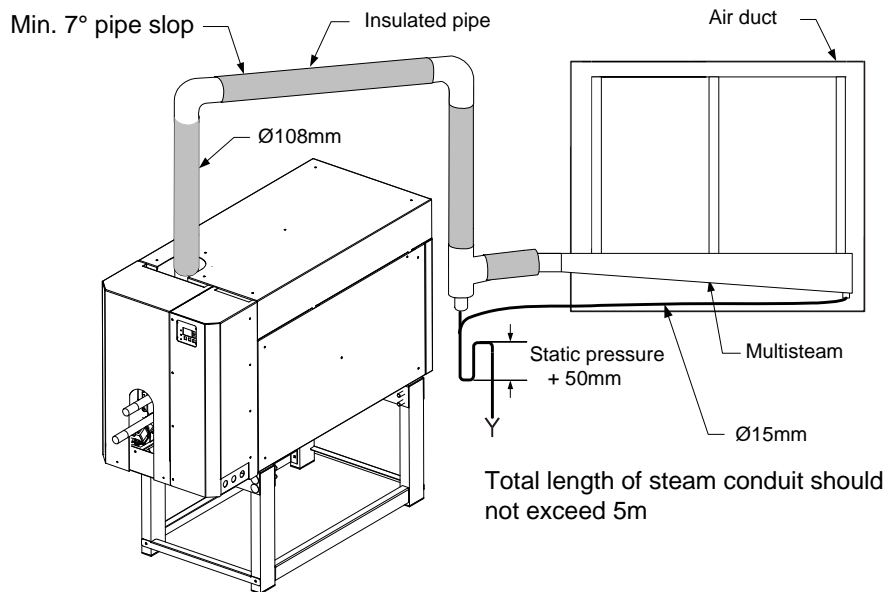


Vertical duct (Fig. 10)

Stage 2 – Steam Distribution Pipes Positioning & Installation

Steam pipe work to Duct connections

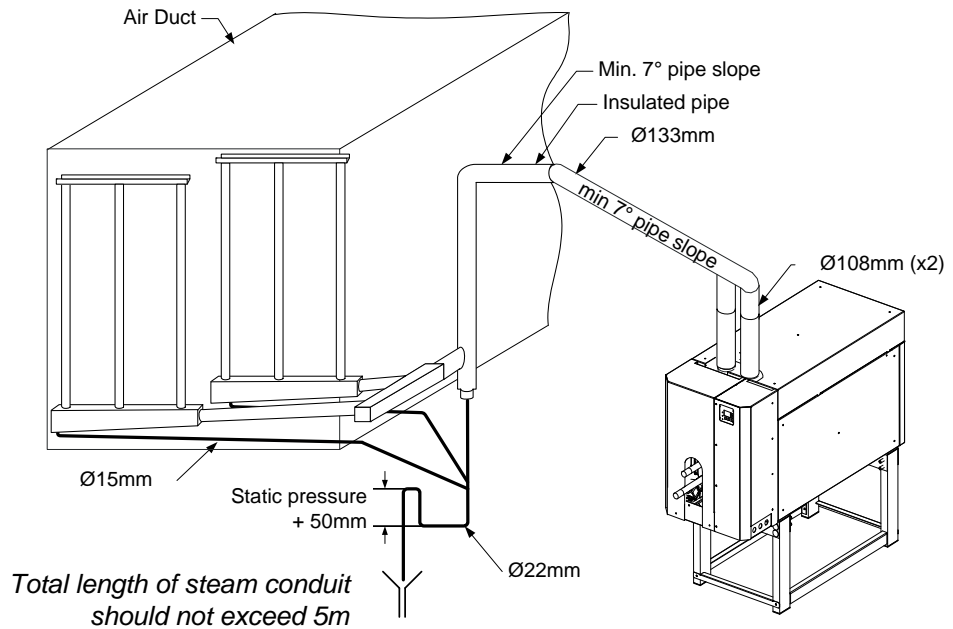
SKS-200-CHP



(Fig. 11)

A single Ø76mm or Ø100mm or Ø130mm feed pipe should be connected to a single Multi-Steam with a suitable reduction at the lowest point to allow a Ø15mm condensate drain from the main steam supply.

SKS-333-CHP



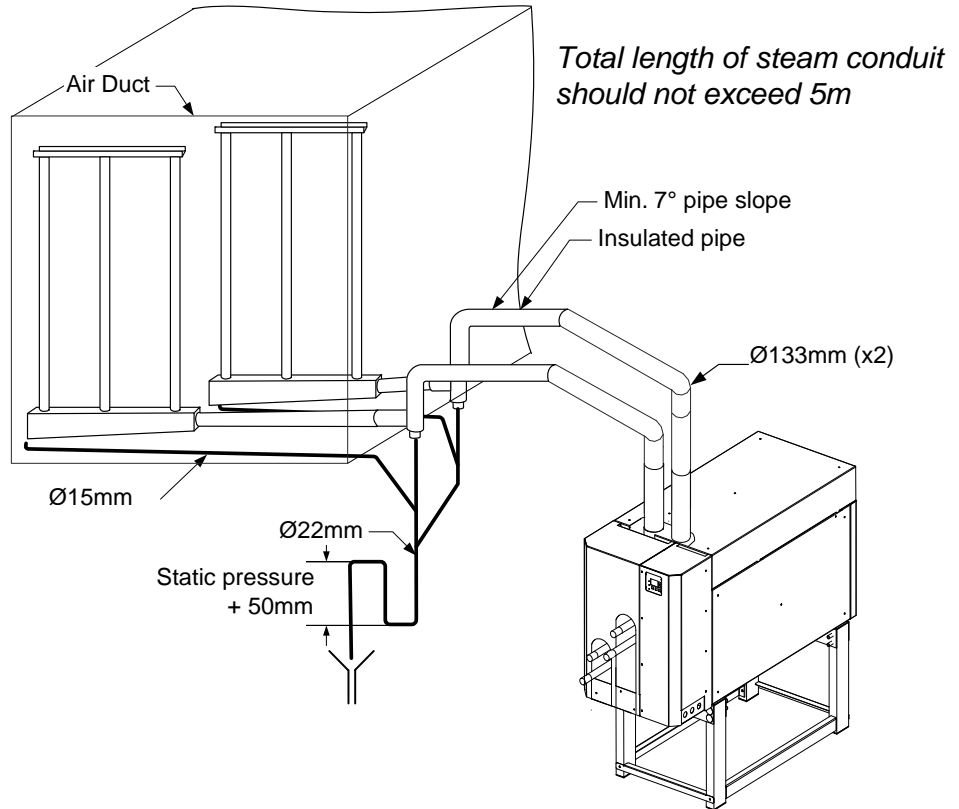
(Fig. 12)

Two Ø100mm or Ø130mm steam outlets should be connected to two Multi-Steam with a suitable reduction at the lowest point to allow a Ø15mm condensate drain from the main steam supply.

If the two Ø15mm condensate pipes are connected, the common condensate drain should be Ø22mm.

Stage 2 – Steam Distribution Pipes Positioning & Installation

SKS-667-CHP



(Fig. 13)

Two Ø133mm steam outlets to feed pipe should be connected to two Multi-Steam with a suitable reduction at the lowest point to allow a Ø15mm condensate drain from the main steam supply.

If the two Ø15mm condensate pipes are connected, the common condensate drain should be Ø22mm.

Stage 3 – Pipework for HTHW / Raw steam



Union dimensions & installation

HTHW / Raw steam supply piping should conform to local codes and regulations.

Risk of Distortion and Failure. HTHW / Raw steam piping installation should be supported so that no strain are imposed on the Humidifier steam inlet and control valve.

Pipes should be inspected for dirt and chips after threading and reaming the end of pipes.

After installation, field piping and Humidifier piping should be checked for leak. All leaks MUST be sealed prior to commissioning the Humidifier.

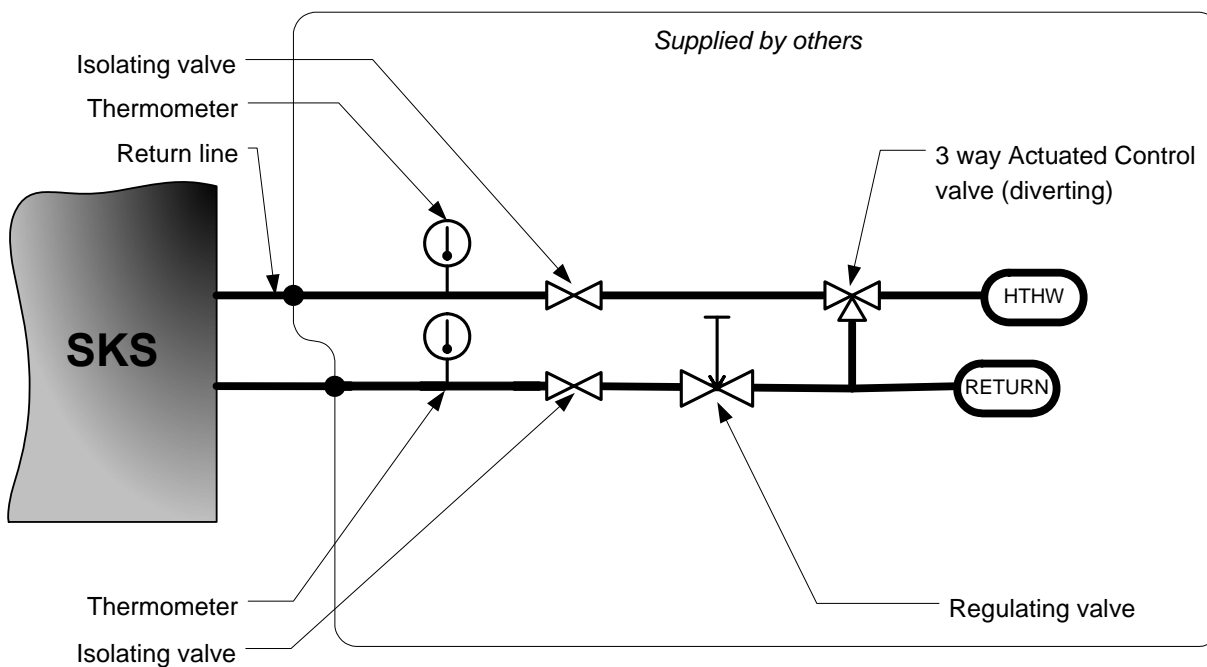
Model	HTHW / Raw steam inlet	Return outlet
SKS-200-CHP	Ø20mm	Ø20mm
SKS-333-CHP	Ø32mm	Ø32mm
SKS-667-CHP	Ø32mm (x2)	Ø32mm (x2)

SKS-667-CHP is equipped with two (2) heat exchangers and therefore has 2 HTHW / raw steam inlets and two (2) condensate return outlets.

Typical HTHW installation

HTHW supply size

Size of the HTHW supply pipe and control valve should be calculated considering **0.8kW of HTHW for each kg of clean steam** produced and distributed into AHU.



(Fig. 14)

HTHW supply & condensate installation

Connect the HTHW inlet(s) to an adequate HTHW supply with 3 way diverting control valve, isolating valves, regulating valve and thermometers.

Only one (1) control valve is required irrespective of number of HTHW inlets. Control valve should be fitted with a mechanism and be electrically wired so that the valve returns to the closed position when no air flow is detected in the AHU.

Return outlet(s) should be connected to the HTHW with an isolating valve.

Thermometers should be installed on HTHW supply line and return line close to the humidifier.

Stage 3 – Pipework for HTHW / Raw steam

Typical Raw steam installation



A strainer as well as an isolating valve should be installed upstream to the control valve on the raw steam supply pipe.

Brass coupling should be used between the heat exchanger stainless steel pipes and steam inlet / condensate outlet piping.

The condensate must be evacuated efficiently. Therefore, a condensate pocket and steam trap should be installed to ensure proper condensate elimination.

Only float and thermostatic type steam trap should be used to eliminate condensate from the heat exchanger. This steam trap needs be able to withstand at least twice the humidifier duty.

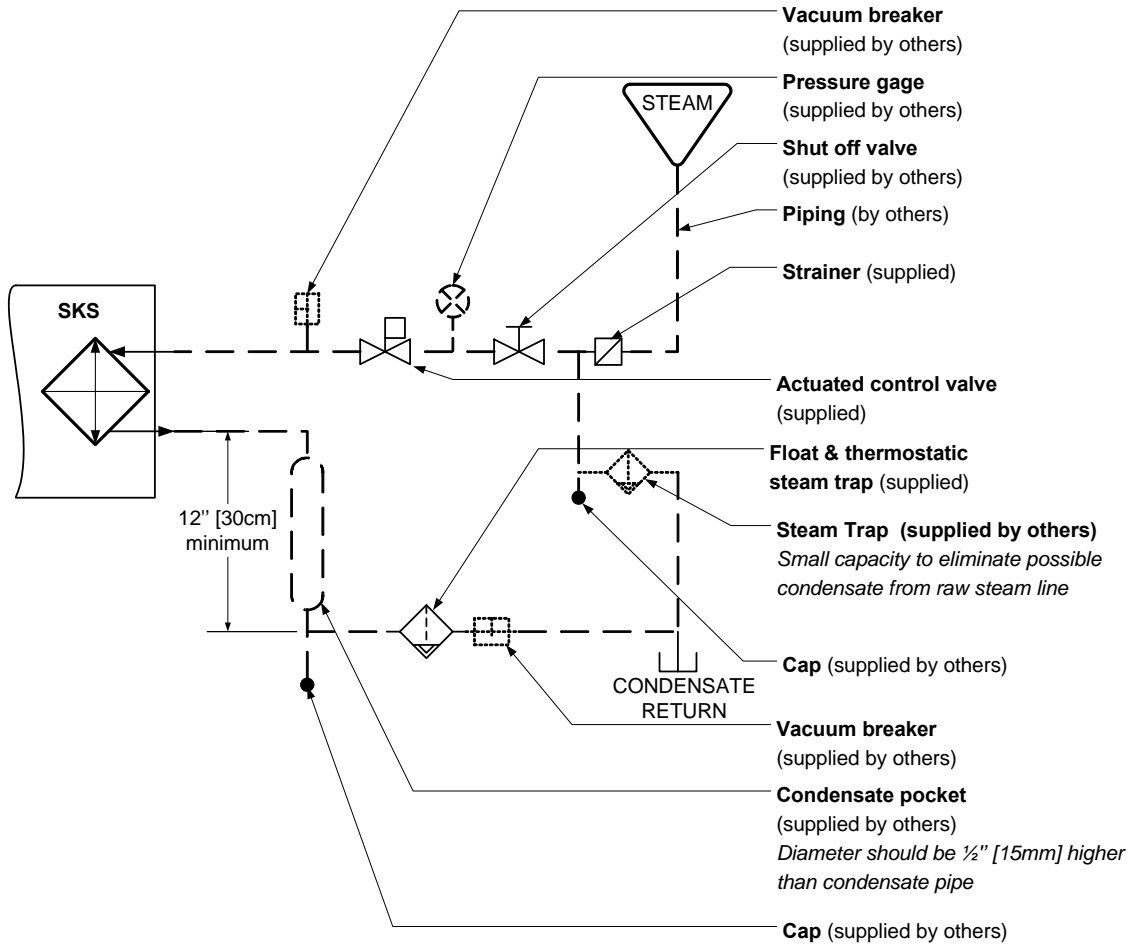
Do not use thermostatic or Thermodynamic traps to eliminate condensate from the heat exchanger. Those traps can be used as small capacity traps to eliminate condensate from raw steam line only.

After installation, field piping and Humidifier Steam piping should be checked for leak.

All leaks **MUST** be sealed prior to commissioning the Humidifier.

Steam supply size

Size of the steam supply pipe and control valve should be calculated considering **1.35kg of raw steam for each kg of clean steam** produced and distributed into AHU.



(Fig. 15)

Raw steam supply & condensate installation

Connect the raw steam inlet to an adequate steam supply with steam control valve, strainer, isolating valve and small capacity trap.

One control valve is required for each raw steam inlet.

Control valve should be fitted with a mechanism and be electrically wired so that the valve returns to the closed position when no air flow is detected in the AHU.

In case of two (2) condensate outlets, each individual condensate outlet requires a steam trap. Do not "group trap".

Float and thermostatic type steam traps are recommended and should be fitted no less than 600mm below the condensate outlets, with condensate pocket fitted before the trap.

Stage 4 – Water Supply Installation



Water supply installation should conform to local codes and regulations.
Any installation work must be carried out by suitably qualified personnel.

Water inlet Specifications

Neptronic® SKS Humidifier is designed to be used with potable, reverse osmosis, deionised and de-mineralized water.

Maximum water supply pressure: 70 to 480kPa

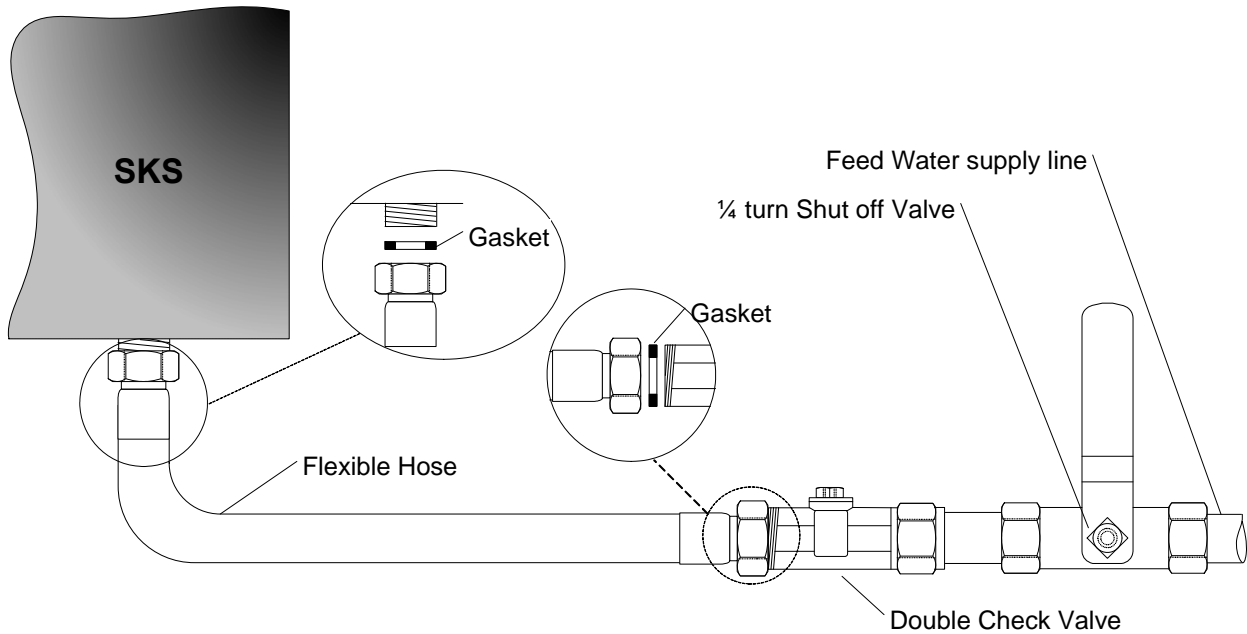
Minimum water temperature: +4°C

Maximum water temperature: +40°C

Mode <input type="checkbox"/>	Water inlet Connection size
SKS-200/333/667-CHP	Ø10mm garden hose inlet Ø10mm flexible hose (supplied)

Water supply line Installation

To facilitate servicing, a shut off valve (not supplied) should be installed in the water line, within 1m of the humidifier.



(Fig. 16)

Stage 5 – Water Drain Connection



Water Drain installation should conform to local codes and regulations.
Any installation work must be carried out by suitably qualified personnel.

Water Drain Specification

Water Drain temperature: +60°C

<i>Model</i>	<i>Water Drain Outlet Connection size</i>
SKS-200/333/667-CHP	Ø22mm

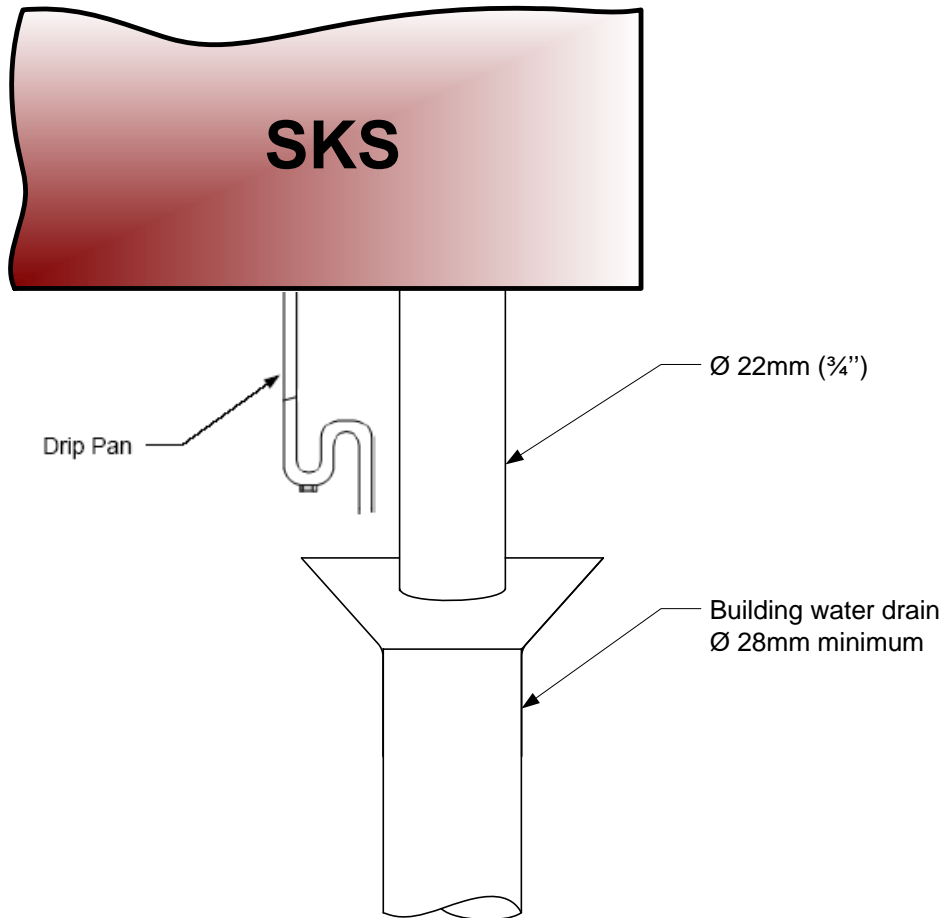
Water Drain Installation

Water drain outlet connection should be connected to drain pipe of sufficient size. We recommend the use of Ø22mm minimum standard copper hydraulic pipes.

Water main drain and drip pan must be kept separate to the open drain. Do not connect the main drain and the drip pan before the open drain.

Minimum water drain pipe gradient should be 1.5mm in 1m horizontal run.

No drain trap is required on the main drain.



(Fig. 17)

Stage 6 –Electrical Supply and Installation

Electrical Power Supply

The SKS Humidifier requires the following single phase supply.

Model	Voltage	Current
SKS-200/333/667-CHP	230Vac – 1ph	0.75A



Electrical connection

All incoming power supplies MUST be externally fused for over current protection. The electrical supply should also be isolated for the purpose of emergency and servicing. Disconnect switch should be installed typically within one meter of the humidifier.

The isolator must have a contact separation of at least 3mm.

All work concerned with electrical installation MUST only be performed by skilled and qualified technical personnel (e.g. electrician or technicians with appropriate training).

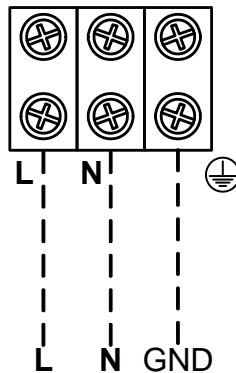
Please observe local codes and regulations concerning the provision of electrical installations.

WARNING. Risk of electric Shock. Ensure that the electrical supply is isolated before commencing any installation.

The installation engineer must ensure the following:

- Use of copper power conductor only.
- Size of the power conductors are suitable for the maximum current supplied.
- Incoming power cable is secured via suitably sized cable gland.
- Each terminal connection is secured firmly with a cable ferrule.
- Humidifier cabinet has an uninterrupted or unbroken electrical ground. Do not use HTHW piping as an electrical ground.

Power supply terminal block



(Fig. 18)

Stage 7 –Electrical Control Connections

Fundamentals about controls placement

Typical humidifier control system should include along with the humidifier:

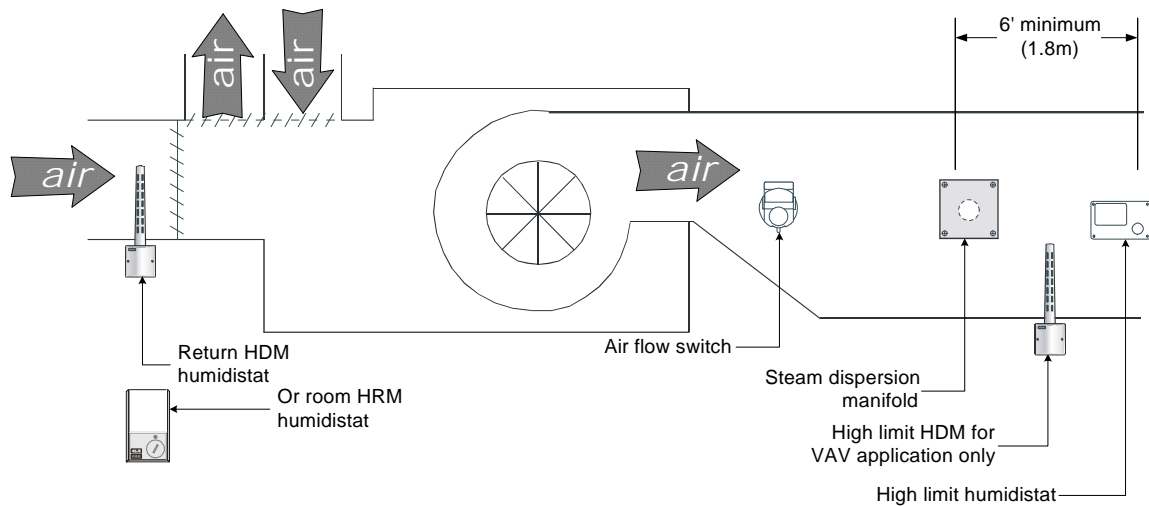
- A wall or return duct humidistat
- A high limit duct humidistat,
- An air proving switch (P.D. Switch).

Placement of these devices is critical to proper operation of the overall system.

The return duct humidistat must always be located before any outside air intake, in order to ensure accurate sensing of the air from the humidified space.

Alternatively a room humidistat can be used. The room humidistat should be located on an inside wall or column. It should not be near any discharge air from supply ducts or sources of heat or cold.

The airflow switch must be positioned to accurately open on a loss of air flow, to prevent the humidifier from running when there is no air to absorb humidity.



(Fig. 19)

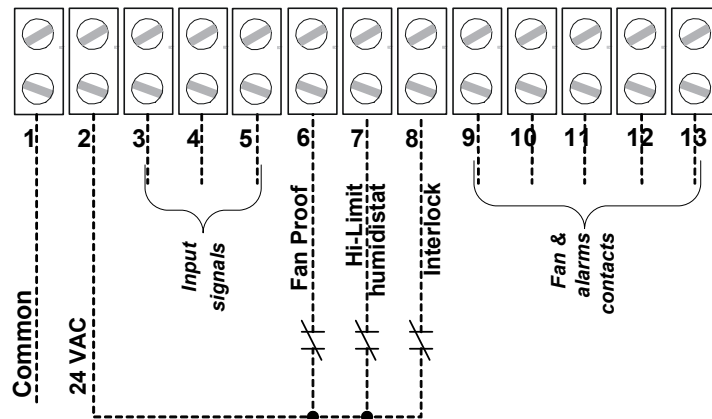
Electrical Control Connections

Neptronic® SKS Humidifier has a modulating control system and requires an analogue control signal (0-10Vdc, 2-10Vdc, 0-20mA or 4-20mA).

Humidifier Interlocks

Neptronic® SKS Humidifier has three interlock entries:

- P.D. Switch (air proving) contact should be wired on terminal 6
- High limit humidistat contact should be wired on terminal 7
- A third interlock switch can be wired on terminal 8.



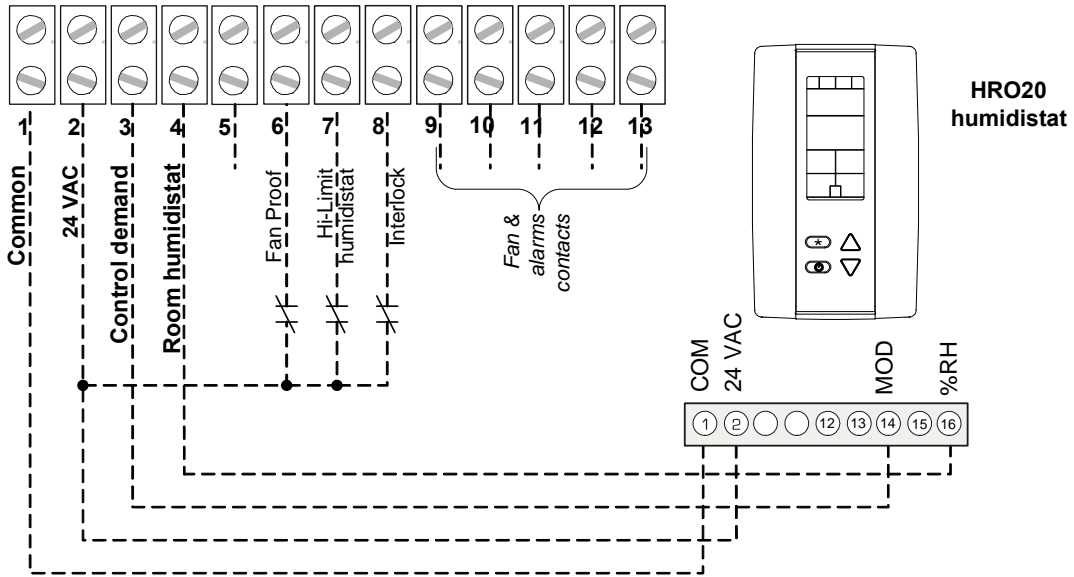
(Fig. 20)

Stage 7 –Electrical Control Connections

Humidifier Control (external mode)

Neptronic® SKS modulating Steam Humidifier can be installed in conjunction with Neptronic® **HRO20** humidity controller, see above wiring diagram (fig. 21). In this case humidity set point will be controlled by **HRO20** humidity controller; humidifier will have to be set in external mode.

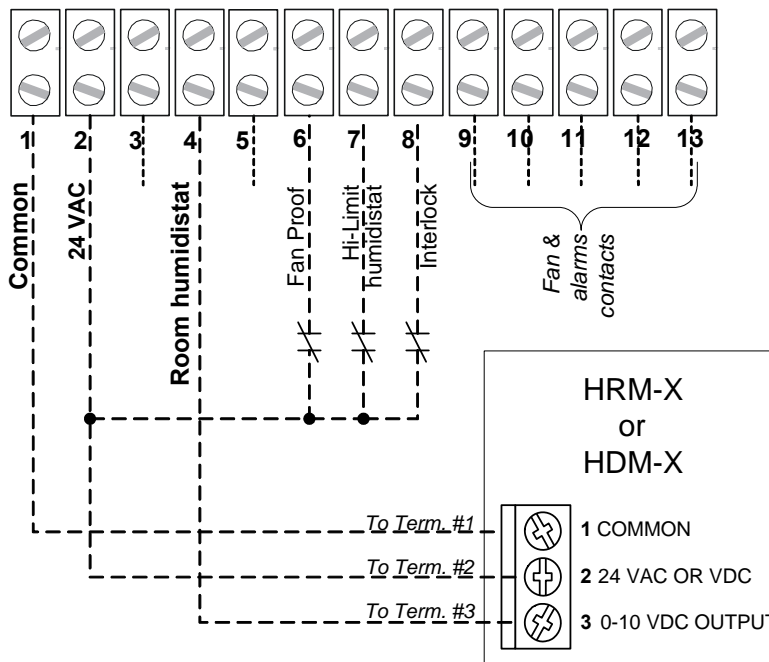
In this external mode SKS can accept any modulating control signal (0-10Vdc, 2-10Vdc, 0-20mA or 4-20mA) wired to terminal 3.



(Fig. 21)

Humidifier Control (internal mode)

Neptronic® SKS modulating Steam Humidifier can be installed in conjunction with Neptronic® **HRM-X** or **HDM-X** remote humidity sensor. In this case humidity set point will be controlled by **SKS** humidifier; humidifier will be set in internal mode. see below wiring diagram.



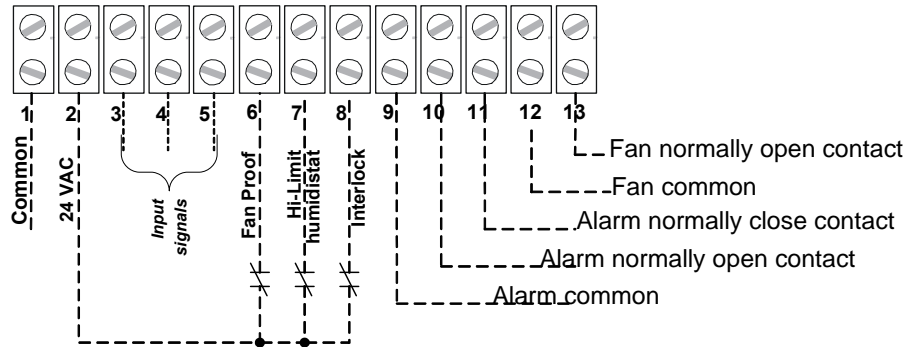
(Fig. 22)

Stage 7 –Electrical Control Connections

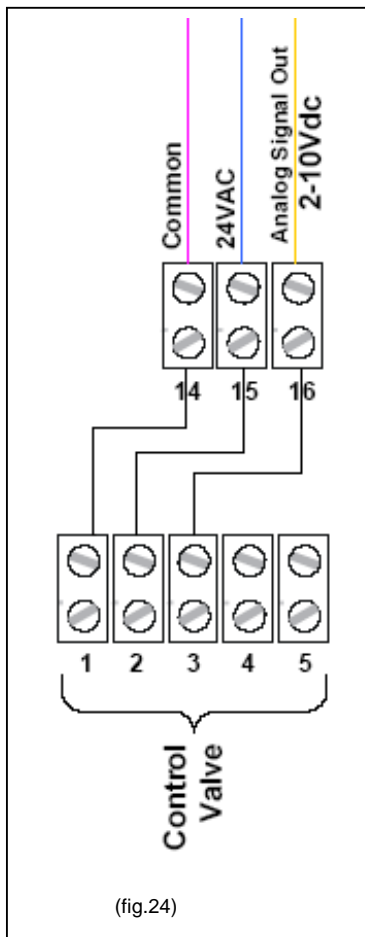
Dry Contacts Two series of volt free contacts are provided :

- Alarm contacts:
One normally connected to common and one normally open contacts
- Operation (fan) contacts:
one normally open contact to common.

These contacts should be used to switch a low voltage control, up to 24Vac or Vdc, with a switching current of no more than 3 A.



(Fig. 23)



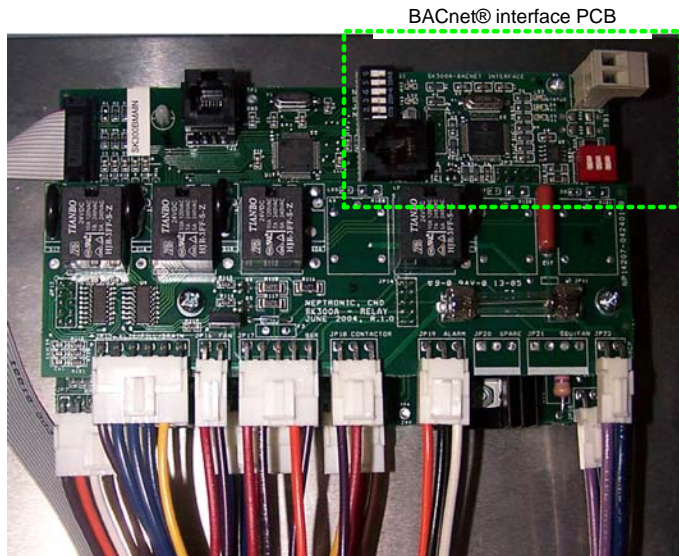
(fig.24)

Steam Actuated Valve

- For SKS 100 to SKS 950 (1 control valve), connect the humidifier to the valve as per figure 29.
- For SKS 1250 (2 control valves), split the control signal from ports 14 to 16 and connect the humidifier to the control valves.

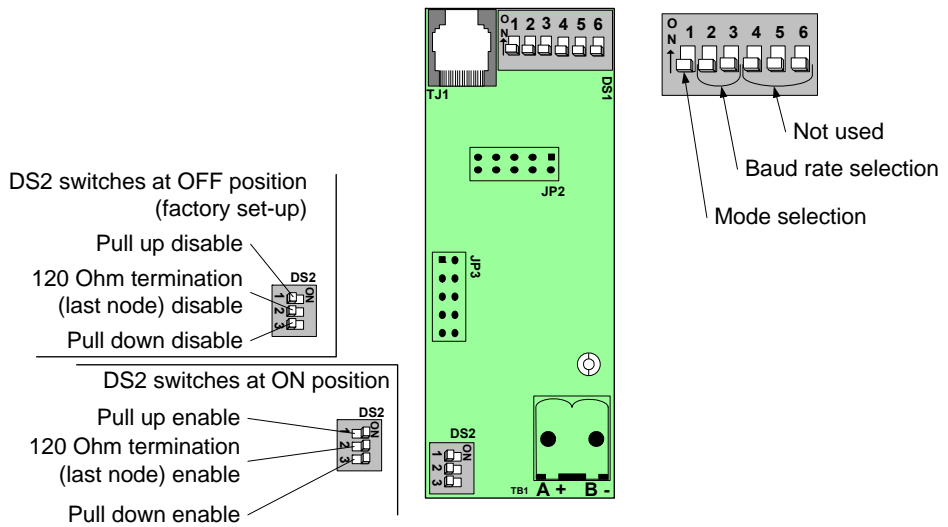
Stage 8 –BACnet® interface set-up

Locating Bacnet® interface PCB BACnet® interface PCB is located in the electrical compartment it is directly attached and connected to the Main PCB.



(Fig. 25)

Dip switch setting for RS-485 BACnet® Port and Baud rate



(Fig. 26)

DS1-1 : Mode selection
OFF = Mode Operational (factory set-up)
ON = Mode Configuration

DS1-2&3 : Baud rate selection		
Baud rate	Switch #2	Switch #3
9600	OFF	OFF
19200	ON	OFF
38400	OFF	ON
76800 (factory set-up)	ON	ON

See also the **BACnet® communication module user guide** supplied.




Initial verification



Initial verification and start-up - commissioning – must be carried out by suitable qualified personnel.

- | | |
|---------------------------------------|--|
| Clearance | 1. Ensure that cabinet of the humidifier is installed in a location where the humidifier can be serviced correctly. <input type="checkbox"/> |
| Electrical supply | 2. Check that the power supply (voltage) conforms to the appliance name plate on the humidifier side. <input type="checkbox"/>
3. Confirm that 24Vac is present between tab 1&2 of Control terminal, located on the control connection PCB. To get to this PCB remove the front top cover. <input type="checkbox"/> |
| Water supply | 4. Ensure that water is supplied to the humidifier. A shut-off valve should be outside the humidifier. Once the water shut-off valve is turned ON, ensure that there are no apparent leaks. <input type="checkbox"/>
5. Confirm that Drain piping is properly connected with a pitch of least 1.5mm per meter. <input type="checkbox"/> |
| Humidification
Clean Steam | 6. Check that steam distributors are properly installed into the ventilation duct. <input type="checkbox"/>
7. Verify that the flexible steam hoses and rigid steam supply pipes are shorter in total length than 5m and properly sloped and have condensation P traps wherever required. <input type="checkbox"/> |
| HTHW / Raw
Steam supply | 8. Confirm that Raw steam or HTHW is supplied to the humidifier and the shut-off valve located outside the humidifier is closed. Once the shut-off valve is turned ON, check for leaks or hissing sound. <input type="checkbox"/>
9. In case of raw steam supply, verify type and size of condensate return steam trap. Steam trap should be of Float type and of sufficient dimension, according to capacity. <input type="checkbox"/> |
| Controls | 10. Ensure that the control valve is properly connected to the output control signal of humidifier. <input type="checkbox"/>
11. Ensure that a High limit duct humidistat is installed, properly connected to the humidifier and set point properly adjusted. <input type="checkbox"/>
12. Verify that Room humidistat or returned air duct humidistat is installed, properly connected to the humidifier and set point properly adjusted <input type="checkbox"/>
13. Turn Power ON at the disconnect switch <input type="checkbox"/>
14. Confirm the control set-up of the humidifier (step 7 of programming mode). The humidifier is factory set with EXTERNAL control set-up, which means that the humidity demand is controlled by the room or duct humidistat. <input type="checkbox"/>
15. Ensure that the type of signal (0-10Vdc, 2-10Vdc or 4-20mA) of the humidistat correspond to the type set in the humidifier control set-up menu, step 7 of programming mode <input type="checkbox"/> |

Start-Up

-
- | | |
|------------------------|--|
| Start-up | <ol style="list-style-type: none"> 1. Proceed to the start-up of the Humidifier, as follow: <input type="checkbox"/> <ol style="list-style-type: none"> a) Open the front access door of the humidifier cabinet; make sure that manual drain valve is closed. <input type="checkbox"/> b) Start up the humidifier by pushing  (ON/OFF) button located on the humidifier control panel. <input type="checkbox"/> c) After 5 seconds, water will start to fill. Water level should slowly rise in the water level sight glass located on the side of the evaporation chamber. <input type="checkbox"/> d) Verify that there is a humidity demand. Humidity demand is displayed on the humidifier LCD screen. <input type="checkbox"/> e) Humidifier LCD screen will display the water level in percentage (%). When display is indicating water level at 100%, the water level in the water level sight glass should be in front of the mark stamped on the bracket. <input type="checkbox"/> f) If there is a humidity demand, the control valve will open. From a cold water start, the humidifier will require 5 to 10 minutes to produce steam. Humidifier LCD display is indicating water temperature. <input type="checkbox"/> g) During normal operation while steam is produced, the water temperature should be 100°C. Water level percentage should not indicate less than 95%. <input type="checkbox"/> h) Observe for water and steam leaks. <input type="checkbox"/> |
| Safety test | <ol style="list-style-type: none"> 2. Check the location of the air flow switch in the system and its operation by stopping the fan. With no air movement in the air duct, the humidifier should automatically close the control valve(s). <input type="checkbox"/> |
| Drain and Reset | <ol style="list-style-type: none"> 3. Turn the humidifier OFF, by pushing  (ON/OFF) push button of the control panel. <input type="checkbox"/> 4. Execute a manual drain, by pushing the  (DRAIN) push button of the control panel. A water jet directed on the water level sensor located in the water level sight glass should start and create bubbles around it. <input type="checkbox"/> |
| End | <ol style="list-style-type: none"> 5. Reset Air flow switch and humidistat(s) to the proper value, if needed. <input type="checkbox"/> 6. Humidifier is ready for normal operation. <input type="checkbox"/> |

Commissioning – Operation description

Control Panel Description

Control panel of Neptronic® SKS humidifier is equipped with a user friendly LCD display and extensive access to status, alarms, and set-up menus.



(Fig. 27)



"POWER" push button and indicator

⊖	The humidifier is powered by electricity and the switch is at the ON position, ready to operate and produce steam upon demand
○	The humidifier is at OFF position



"DRAIN" Push button and Indicator

⊖	Drain is ordered, whether as a result of an automatic drain cycle or because the front panel push button has been pressed
○	Drain valve is closed.



"ALARM" indicator

⊖	The "CHECK" indication is normally off. It will go ON as a warning against abnormal conditions of operation. For details see the LCD Display
⊖ <i>blinking</i>	Maintenance is required. The Running hours have exceeded the Service hours.
○	No abnormal conditions of operation.



"FILL" indicator

⊖	Indication that the water supply (fill) valve is open.
○	Indication that the water supply (fill) valve is closed.



"FAN" indicator

⊖	Indication that the Fan is ON
○	Indication that the Fan is OFF



"STEAM" indicator

⊖	STEAM indicator lights when there is 100% steam output
⊖ <i>blinking</i>	STEAM indicator blinks ON and OFF in proportion to the percentage of steam output the humidifier is generating.
○	There is no steam being produced.

Access to programming mode

To access menu, press on the button, LCD will display first step. You can scroll down to next step by pressing the button


Change value

Within a selected step, press on or buttons to change values (when required)

Operation mode

OFF Mode When humidifier is at "OFF" position, the display shows the model of the unit and the program version number.

SKS XXXX
NEP r1.0

By pushing the  button on control panel, you can access to the serial number of the humidifier.

ON Mode When humidifier is ON, the display scrolls the following information every 6 seconds:

<i>Display</i>	<i>Description</i>	<i>Comment</i>
HUMIDITY 45.2%	Percent of relative humidity	Only if room or duct humidistat is connected to humidifier
DEMAND 92%	Percent of demand	Control signal input demand from 0-100%
OUTPUT 100%	Percent of output of the humidifier	Capacity output of the humidifier.
WATR LVL 92%	Water level in percent to the objective	100% correspond to optimum water level in evaporation chamber.
WATR TMP 65C	Water temperature in Celcius	Water temperature inside the evaporation chamber.

Alarm messages

When the following conditions occur, the alarms messages override the scrolling information:

Display	Description	Comment
AIR FLOW OPEN	Air flow proof	The airflow is not detected by the air pressure switch (modulating unit only).
HI LIMIT CUT-OUT	Hi limit cut out	Humidity level has exceeded the set point on the high limit humidistat.
DRAIN CYCLE	Drain cycle	The unit is in the automatic drain mode
OVER HEATED	Overheated	The temperature inside the container has exceeded the boiling temperature. The humidifier has automatically shut off
PROBE DEFECTED	Defected probe	The water level sensor is not operational. The humidifier has automatically shut off
NO LEVEL	No water	Water has not reached the level probe
CLEANING REQUIRED	Cleaning required	The humidifier has reached the number of hours of operation and requires cleaning of the evaporation chamber with no interruption of the operation of the humidifier.
SERVICE UNIT NOW	Service unit now	The humidifier has reached the number of hours of operation and requires service. The operation of the humidifier is interrupted.
FOAMING CYCLE	Drain foam	AFEC (Anti Foam Energy Conservation) detects foam. The unit drains for a few minutes and returns to normal operation.
DRN/PROB BLOCK	Drain or probe block	The unit drains but the water level does not decrease, the humidifier has automatically shut off.
PCB FUSE OPEN	PCB Fuse open	Internal 24vac is shorted.
24 VAC SHORTED	24 VAC Shorted	External 24vac (for humidity) controller is shorted or over loaded.
24 VDC SHORTED	24 VDC Shorted	Internal 24vdc (probe or fan) is shorted.
REFILL TIME OUT	Refill time out	Time to fill the evaporation chamber exceeded the preset time in the microprocessor.
WATR TMP DEFECTED	Water temperature defected	The water temperature sensor is not present or defective.
INTERLCK OPEN	Interlock Open	Interlock safety is open. Humidifier is stopped.

Programming mode

To access menu, press on the ***** button, LCD will display first step. You can scroll down to next step by pressing the ***** button. Within a selected step, press on **▲** or **▼** buttons to change values (when required)

Seq #	Display	Description	Values
01	CONTROL EXTERNAL	Selection of Control mode. If External is selected, the control demand will be received by the control input; if Com Port is selected, the control demand will be received by the communication port (BACnet option).	Internal or External or Com Port Default: External
01A	SP SOURC INTERNAL	Selection of the Set Point Source (Control Internal only). Selection of source for room humidity set point.	Internal or External or Com Port Default: Internal
01B	SETPOINT 40% RH	Selection of room relative humidity set point. (SP Source Internal only)	Percentage From 10 to 90%
01C	DUCT SRC DISABLE	Hi limit control mode. Selection of the source for the duct high limit relative humidity (Control Internal only).	Disable or External or Com Port Default: Disable
01D	DUCT SP 80% RH	Selection of high limit relative humidity set point. (Duct Source External only).	Percentage From 10 to 90%
02	DRAIN 8 HRS	Setting of automatic drain cycle of evaporation chamber. <i>Note: In general, harder the water is, more often the drain cycle should be. Drain cycle setting does not affect the AFEC system.</i>	From 1 to 24 hours Increment: 1 hour Default: 4 hours.
03	RUNNING 0645HRS	Number of running hours reading and reset To reset this counter: After service has been done, press simultaneously on ▲ & ▼ buttons for 30 seconds to reset the number of hours of operation to zero.	N/A
04	SERVICE 1000HRS	Hour span between services. <i>Note: In general, harder the water is, lower the number of hours of operation before service should be.</i>	From 400 to 1500 hours. Increment: 100 Default: 1000 hours.
05	LOCK ON 80% PWR	Selection of humidifier capacity reduction. <i>i.e.: In this case, the humidifier will deliver 80% of its maximum rated output when at full demand.</i>	From 00 to 100%. Increment: 1% Default: 100%
06	RESET ALRM NO	Reset of alarm To reset an alarm, press simultaneously on ▲ & ▼ buttons.	Yes or No Default: No
07	CTRL INP 2-10 VDC	Control signal input selection.	0-10VDC, 2-10VDC, 0-20mA or 4-20mA Default : 2-10VDC
08	HUM. INP 2-10 VDC	Humidity signal input selection.	0-10VDC, 2-10VDC, 0-20mA or 4-20mA Default : 2-10VDC
09	DUCT INP 2-10 VDC	Duct Humidity signal input selection.	0-10VDC, 2-10VDC, 0-20mA or 4-20mA Default : 2-10VDC
10	SKS XXXX NEP r1.0	Revision level of the program installed	N/A

Note:

- Any changes made in the Program Mode are saved into a non-volatile memory.

User adjustment & diagnostic mode

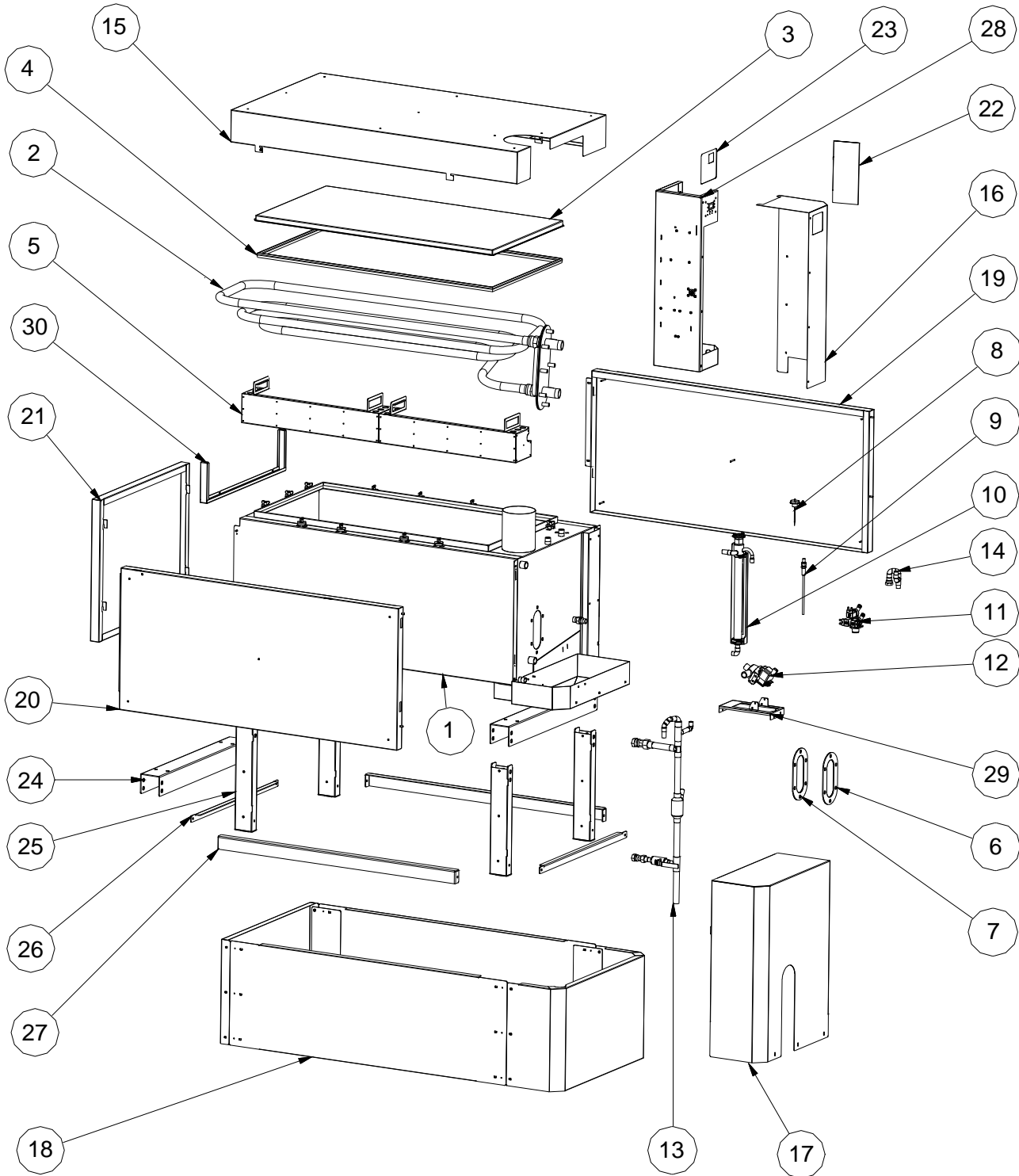
To enter to User adjustment & diagnostic menu: Press simultaneously ***** & **▼** buttons.

Seq #	Display	Type	Description	Value
01	Amb Tmp 40 C	Reading	Electrical compartment Ambient Temperature reading	N/A
02	WTR TOFF 100 C	User adjustment	Water temperature offset user adjustment	Range: from -10°C to +10°C Default: 0
03	WTR FREQ 8000 Hz	Reading	Water level frequency reading	N/A
04	WTR LOFF 100 %	User adjustment	Water level offset user adjustment	Range: from -10% to +10% Default: 0%
05	FOAM PRB 207	Reading	Foaming probe value reading	N/A
06	Drn Tm Out 5 min	User adjustment	Drain time user adjustment	Range: from 4 to 16 min Default: see below table
07	No Demnd 72 HRS	User adjustment	Delay to drain out the humidifier from its remains water when there is no demand, in order to prevent bacteria growth	Range: from 1 to 250 Hrs Default: 72Hrs
08	Hold Tmp OFF	User adjustment	Holding temperature of the evaporation chamber for fast response to demand	Range: from 15 to 90°C or OFF Default: OFF
09	Anti-Frz OFF	User adjustment	Anti freezing temperature for the evaporation chamber for humidifier to be installed in weather proof enclosure.	Range: from 4 to 10°C or OFF Default: OFF
10	ALARM Beep ON	User adjustment	Alarm beep, to be selected ON or OFF	Range: ON or OFF Default: OFF
11	T Unit CELSIUS	User adjustment	Temperature unit scale Celsius or Fahrenheit	Range: Celsius or Fahrenheit Default: Celsius
12	CONTRAST 25	User adjustment	LCD Display contrast level	Range: from 0 to 40 Default: 25 (legible LCD)
13	SKS XXXX NEP r1.0	Reading	Model of humidifier and revision number of program installed.	N/A

Ref to Step #06: Default values of Drain Time out by model (step #06):

Model	Drain Time out default value
SKS-200-CHP	6 min
SKS-333-CHP	10 min
SKS-667-CHP	16 min

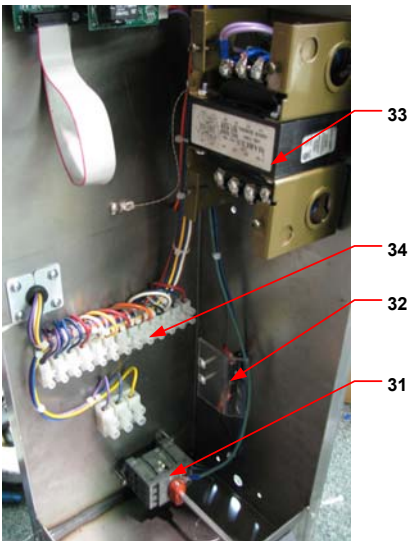
Exploded view



(Fig. 28)

Parts List

Item	Description	Model	Qty	Part number
1	Base & Water tank	See table 2	1	SPS 1Y
2	Heat exchanger	See table 2		SPS 2Y
3	Water tank cover	See table 2	1	SPS 400X
4	Water tank gasket	See table 2	1	SPS 600X
5	Scale basket	SKS-200-CHP	2	SPS 4001
		SKS-333/667-CLP		SPS 4002
6	Heat exchanger flange washer (external)	See table 2		SPS 2Y-8
7	Heat exchanger flange gasket	See table 2		SPS 6Y
8	AFEC Probe (foam detection)	All	1	SWS 7001
9	Water temperature probe	All	1	SWS TEMPESENSOR
10	Water level sensor	All	1	SWS 7000
11	Water inlet valve	All	1	SP 6008
12	Drain pump	All	1	SPG 4101
13	Drain Cooler pipe assembly	See table 2	1	SWS 7X
14	Water inlet pipe assembly	All	1	SWS 7003
15	Top panel	See table 2	1	SPS 3Y-6
16	Electrical box panel	See table 2	1	SPS3X-8
17	Front panel	See table 2	1	SPS 3Y-7
18	Leg skirt assembly	See table 2	1	SWS SKIRTX
19	Side panel Right	See table 2	1	SPS 3X-3
20	Side panel Left	See table 2	1	SPS 3X-4
21	Back panel	See table 2	1	SPS 3X-5
22	Main PCB	All	1	SWS-MAINPCB
23	Display PCB	All	1	SWS DISPLAY
24	U channel	See table 2	2	SPS 3X-1
25	Leg	All	4	SPS 4009
26	Leg reinforcement - short	All	2	SPS 4010
27	Leg reinforcement - long	SKS-200-CHP	2	SPS 4011
		SKS-333/667-CLP		SPS 4012
28	Electrical box	See table 2	1	SPS 1X11
29	Drain pump bracket	All	1	SPS 4002
30	Heat exchanger bracket	See table 2		SPS 2Y-7
-	Wing nut for tank cover	All	14	SPS 9005
31	Disconnect switch	All	1	DP 13-3004
32	Main Fuse 0.75Amp	All	1	SP 5111
33	Transformer 240/24VAC-100VA	All	1	SPS 8020
34	Controls terminals	All	16	DP 14-1001



(Fig. 29)

Table 2

Model	Nb of Heat Exc.	X cabinet family	Y Heat exchanger type
SKS-200-CHP	1	2	0200
SKS-333-CHP	1	3	0333
SKS-667-CHP	2	4	0667

Personal notes

A series of horizontal dashed lines for taking notes.

1. General

- Unless otherwise arranged, in writing, the acceptance of the Order Confirmation by the purchaser includes acceptance of the "General Conditions of Sale and Warranty" of National Environmental Products, Ltd hereafter referred to as NEP.

2. Incoterms

- The international rules for interpretation of trade terms "Incoterms" as defined by the ICC Incoterms publication no. 460 from 1990, shall apply to the commercial terms used herein.

3. Confirmation of Order

- NEP shall not be deemed to have accepted an order until written "Order Confirmation" from NEP is issued to the purchaser.
- It is the responsibility of the purchaser to verify that all information concerning his/her order is correct and to notify NEP in writing, of any discrepancy prior to the order being shipped. In the event of a change or correction to an existing order, a second "Order Confirmation" will be issued by NEP.

4. Price

- Our prices are net, Ex-works Montreal in U.S. Currency, unless stated otherwise.
- Minimum orders shall be \$50.00 minimum.
- Shipping and Handling charges are \$5.00 minimum per order unless the shipment is billed to the purchaser's account or shipped freight collect.
- NEP reserves the right to adjust accepted prices in the event of alterations in rates of exchange, variations in costs of materials, changes in wages, interference on the part of the Government or similar conditions over which NEP has no control.

5. Payments terms

- Major credit cards, C.O.D., Prepayment.
- For open account, invoices are payable within 30 days from the date of invoice without no deduction, unless specify otherwise.
- An interest charge of 2% per month will be included on all overdue payments.
- No new order will be process if invoices are not paid within 45 days.

6. Transfer of ownership

- The goods shall remain the property of NEP until the full payment for the goods has been received by NEP.

7. Delivery terms

- Shipments are Ex-works 400 Lebeau, Montreal, Quebec, H4N 1R6, CANADA unless notified otherwise.
- Unless special instructions, the order will be delivery in the way which NEP deems best without guaranteeing this to be the cheapest way of transport.
- For International Order, a written designation naming the freight forwarding agent is required and will remain in effect until notified otherwise.
- Any discrepancy, damage or breakage should be reported in writing both to NEP and to the Carrier within 5 working days from the receipt date.

8. Risk

- From the moment of delivery, the purchaser shall bear all risks for the goods and NEP shall not be responsible for loss and damage incurred during transportation.

9. Delivery time

- Delivery time is stated approximately and depends on the product ordered, please allow a minimum of:
 - 2 weeks for processing North American order.
 - 6 weeks for processing International order.
- We will make every effort to adhere to our delivery promises, but will not accept order or contract cancellation or any liability for any direct or indirect losses that may arise for any reason whatsoever as a result of our failure to adhere to such promises.

10. Return of good

- Goods received by the purchaser cannot be returned unless a completed "R.M.A. Form" (Return Material Authorization Form) has been issued by NEP's Customer Service.
- Any returned goods must be sent to NEP 400 Lebeau, Montreal, Quebec, H4N 1R6, CANADA, unless stated otherwise by the R.M.A. Form, accompanied with the completed "R.M.A. Form", the R.M.A. number shall be prominently displayed on the shipping box. Unauthorized returns will be refused.
- Any returned goods must be sent freight prepaid. Any goods that come to us freight collect will be refused and returned to sender unless previously agreed to by us in writing on the "R.M.A. Form".
- Goods returned for credit shall be in condition for resale in the original box and properly packaged. Units, accessories or components that have been installed are not returnable and not refundable. Credit is subject to an overhead charge of 30% of the invoice plus shipping & handling if returned within 30 days of the invoice date and 50% from 30 to 60 days. Credit may only be applied against existing or future purchases.
- Non standard product (SK units with special feature), Multisteam manifolds and any DI unit are not returnable and not refundable.

11. Warranty

- Provided that the terms of payment are observed, the purchaser is offered a warranty of 24 months from the original purchase date of delivery for any NEP's standard product, provided the equipment has been properly installed and operated in accordance with NEP instructions.
- The warranty covers faulty manufacture, design and/or defective materials and is limited to the equipment and components. The warranty shall cease to be valid in the event of misapplication, incorrect installation, improper maintenance or any other incorrect uses or misuse of the product.
- For the SK series, the warranty furthermore ceases to be valid if the user disconnects or removes any electronic or mechanical components prior disconnecting the input power. NEP assumes no responsibility for repairs made on equipment, unless performed by NEP's authorized personnel.
- The defective product or component shall be returned in accordance with the paragraph 10 (Returns of goods) as described in this document.
- NEP agrees under the warranty to repair or replace (at the discretion of NEP) such standard product or component, which upon examination by NEP are found to be defective.
- Product or component replaced or repaired under warranty will be sent back to the purchaser, standard freight paid by NEP
- Expenses in connection with travelling time, dismantling and mounting shall not be paid by NEP
- Guarantee for products or components sold but not manufactured by NEP, is only given to the same extent as given to NEP, however, not exceeding the normal NEP warranty.
- Parts used for repairs are warranted for the balance of the term of the warranty on the original humidifier or 90 days, whichever is longer.
- Any repair made, after the original warranty period; at the NEP facilities are warranted for 1 month from the date of repair.

12. Proper law and jurisdiction

- This contract is and shall be deemed to have been made in the province of Quebec, CANADA, and shall in all respects, be governed by the province of Quebec laws.

Manufacturer's Name and Address:

Neptronic®

400 Blvd Lebeau, Montreal, Qc, H4N 1R6, Canada

Tel.: +1 514 333 1433

www.neptronic.com

©2011